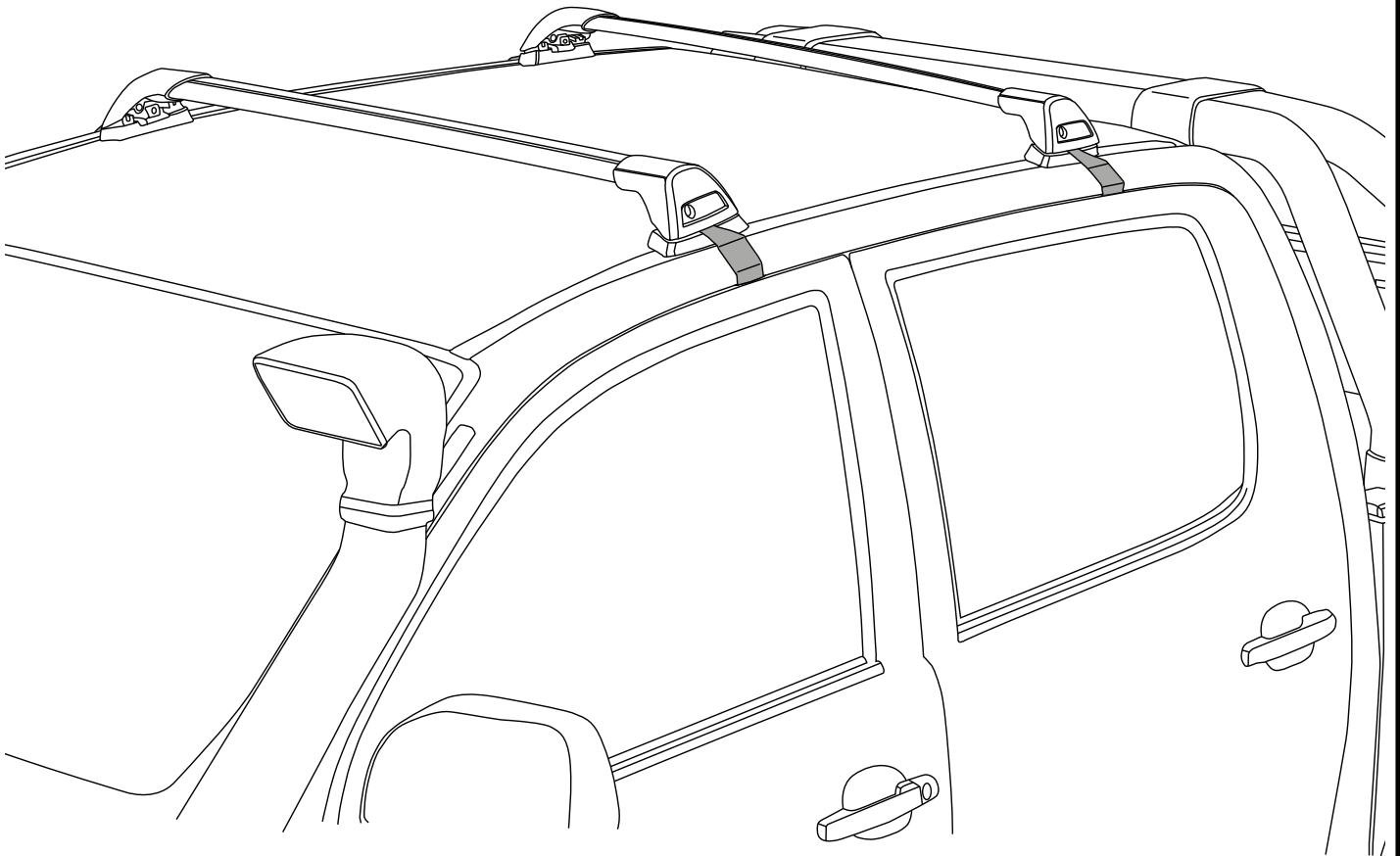


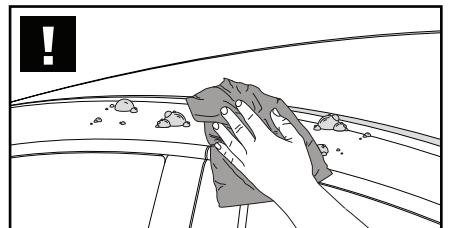
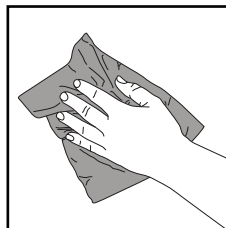
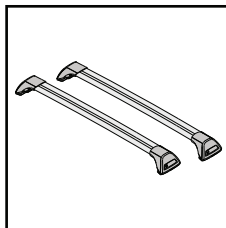
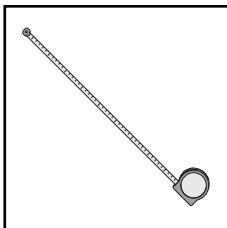
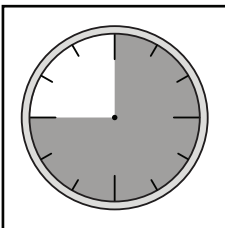
K611



Fitting Kit



REQUIRED • ERFORDERLICH • REQUERIDOS • OBLIGATOIRE • NØDVENDIG • NECESSÁRIO • ОБЯЗАТЕЛЬНО • OBBLIGATORIO
POTRZEBY • NEVYHNUTELNÉ • NEVYHNUTNÉ • NODIG • NÖDVÄNDIG • PÅKRÆVET • ПОТРІБНА • EDellytetään

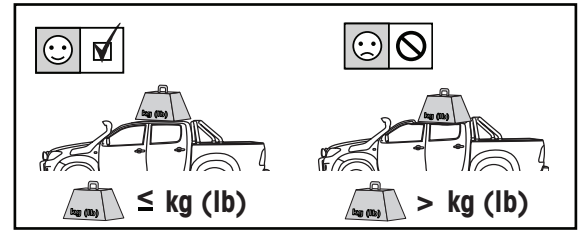
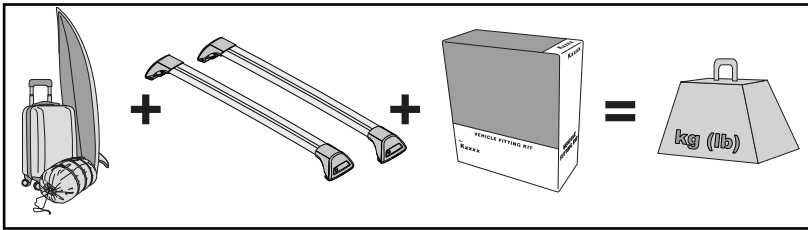




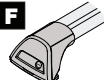



RevXX



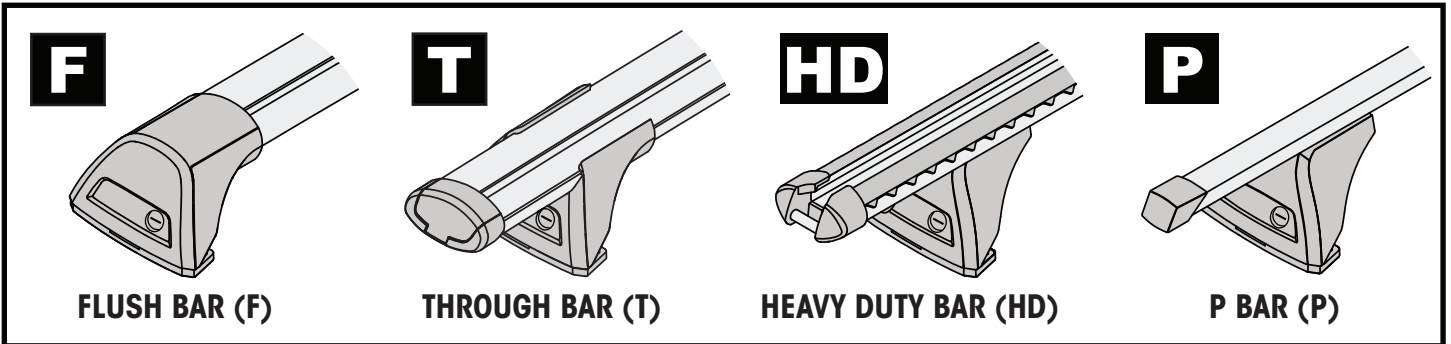
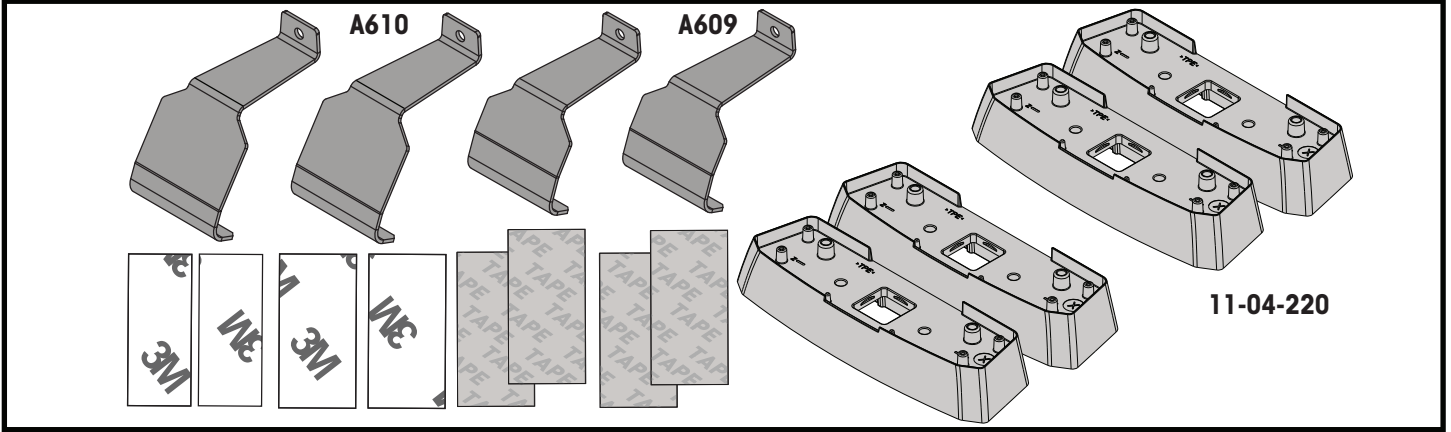
www.prorack...
www.yakima...

**MAXIMUM kg (lb) • MAXIMUM kg • MÁXIMO kg • MAXIMUM kg • МАКСИМАЛТ kg • MÁXIMO kg
 МАКСИМУМ кг • MASSIMO kg • MAKSYMALNEJ kg • MAXIMÁLNÍ kg • MAXIMÁLNE kg
 MAXIMUM kg • MAXIMAL kg • MAKSIMAL kg • МАКСИМАЛЬНА кг • ENIMMÄISMÄÄRÄ kg**

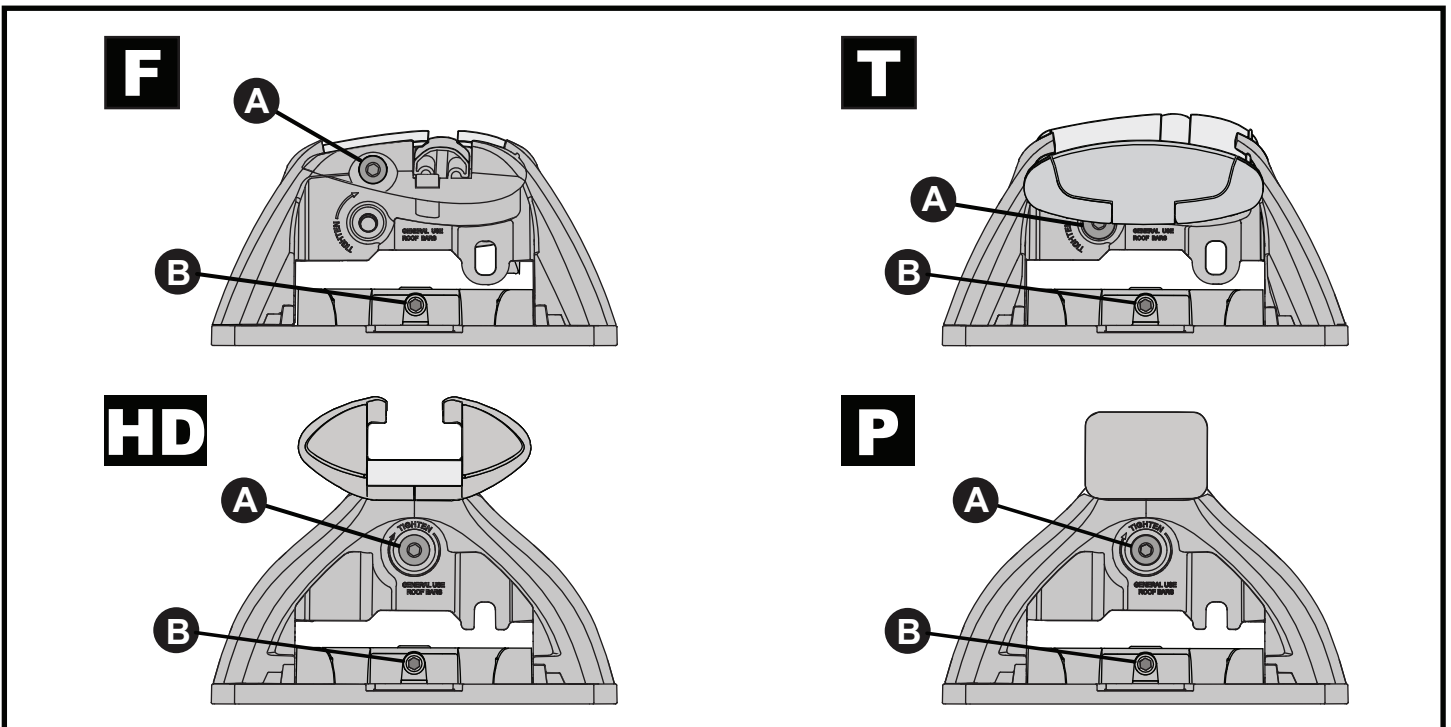
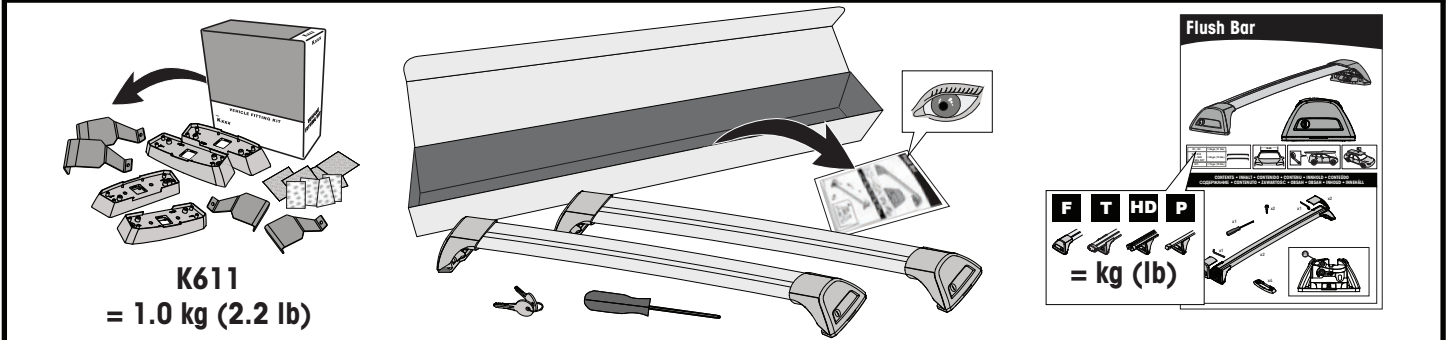


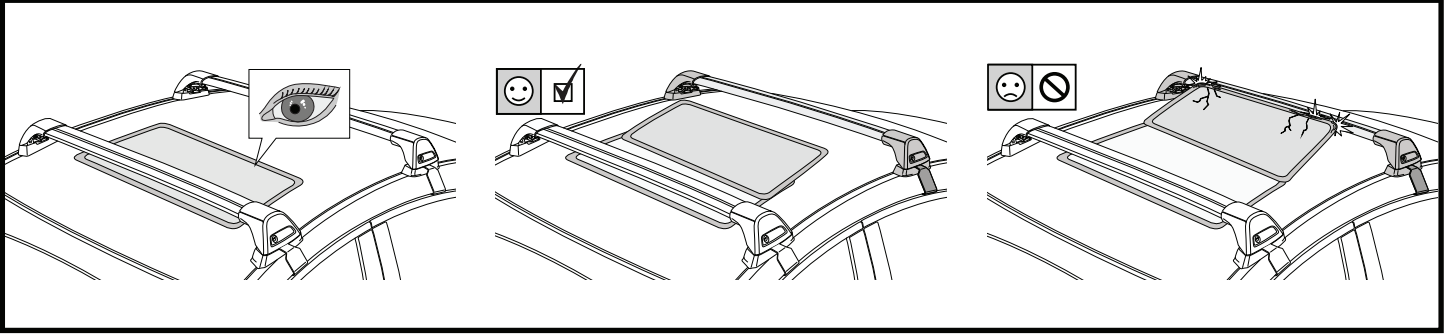
		F  T  P 	HD 
Ford Ranger Double Cab, 4dr Ute Nov 11-Jul 15	AU, EU, NZ, ZA	65 kg (143 lb)	65 kg (143 lb)
Ford Ranger Double Cab, 4dr Ute Aug 15+	AU, EU, NZ, ZA	65 kg (143 lb)	65 kg (143 lb)
Ford Ranger Single Cab, 2dr Ute 12-15	AU, EU, NZ, ZA	35 kg (77 lb)	35 kg (77 lb)
Ford Ranger Single Cab, 2dr Ute Jan 15+	AU, NZ, ZA	35 kg (77 lb)	35 kg (77 lb)
Ford Ranger Regular Cab, 2dr Ute 15+	EU	35 kg (77 lb)	35 kg (77 lb)
Ford Ranger Super Cab, 4dr Ute Jan 12-15	AU, EU, NZ, ZA	65 kg (143 lb)	65 kg (143 lb)
Ford Ranger Super Cab, 4dr Ute Aug 15+	AU, EU, NZ, ZA	65 kg (143 lb)	65 kg (143 lb)
Ford Ranger Raptor Double Cab, 4dr Ute 18+	AU, NZ, ZA	65 kg (143 lb)	65 kg (143 lb)
Mazda BT-50 Dual Cab, 4dr Ute Nov 11-Aug 15	AU, EU, NZ, ZA	65 kg (143 lb)	65 kg (143 lb)
Mazda BT-50 Dual Cab, 4dr Ute Sep 15-May 18	AU, NZ	65 kg (143 lb)	65 kg (143 lb)
Mazda BT-50 Dual Cab, 4dr Ute 15-May 18	ZA	65 kg (143 lb)	65 kg (143 lb)
Mazda BT-50 Dual Cab, 4dr Ute Jun 18-Sep 20	AU, NZ	65 kg (143 lb)	65 kg (143 lb)
Mazda BT-50 Dual Cab, 4dr Ute Jun 18-20	ZA	65 kg (143 lb)	65 kg (143 lb)
Mazda BT-50 Freestyle Cab, 4dr Ute 11 Nov-15 Aug	AU, NZ, ZA	65 kg (143 lb)	65 kg (143 lb)
Mazda BT-50 Freestyle Cab, 4dr Ute Sep 15-May 18	AU, NZ	65 kg (143 lb)	65 kg (143 lb)
Mazda BT-50 Freestyle Cab, 4dr Ute 15-May 18	ZA	65 kg (143 lb)	65 kg (143 lb)
Mazda BT-50 Freestyle Cab, 4dr Ute Jun 18+	AU, NZ, ZA	65 kg (143 lb)	65 kg (143 lb)
Mazda BT-50 Single Cab, 2dr Ute 11 Nov-15 Aug	AU, NZ, ZA	35 kg (77 lb)	35 kg (77 lb)
Mazda BT-50 Single Cab, 2dr Ute Sep 15-May 18	AU, NZ, ZA	35 kg (77 lb)	35 kg (77 lb)
Mazda BT-50 Single Cab, 2dr Ute Jun 18+	AU, NZ, ZA	35 kg (77 lb)	35 kg (77 lb)

**CONTENTS • INHALT • CONTENIDO • CONTENU • INNHOLD • CONTEÚDO • СОДЕРЖАНИЕ • CONTENUTO
ZAWARTOŚĆ • OBSAH • OBSAH • INHOUD • INNEHÅLL • INDHOLD • ЗМІСТ • SISÄLLYS**



**ATTENTION • ACHTUNG • ATENCIÓN • ATTENTION • OPPMERKSOMHET • ATENÇÃO • ВНИМАНИЕ • ATTENZIONE
UWAGA • UPOZORNĚNÍ • UPOZORNENIE • LET OP • UPPMÄRKSAMHET • OPMÆRKSOMHED • УВАГА • HUOMIO**





1

F

T

HD

P

x4

2

HD/P

F/T

F

T

HD

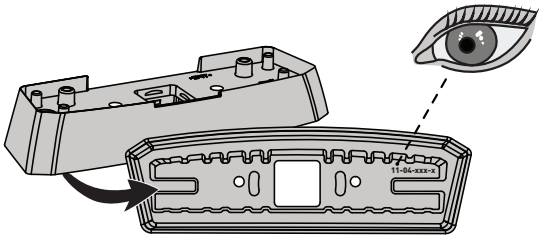
P

x10

A

x4

3



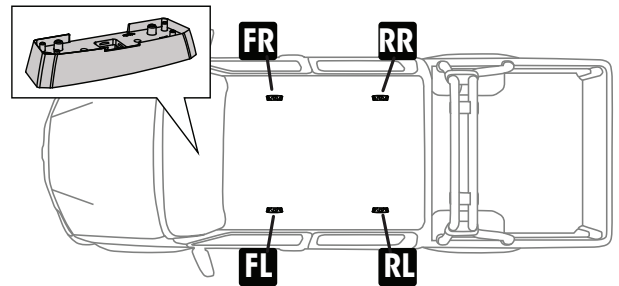
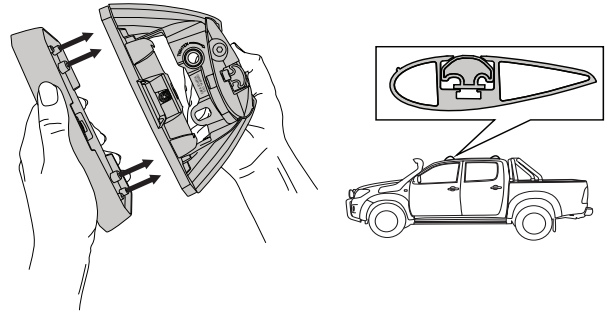
FR = 11-04-220

FL = 11-04-220

RR = 11-04-220

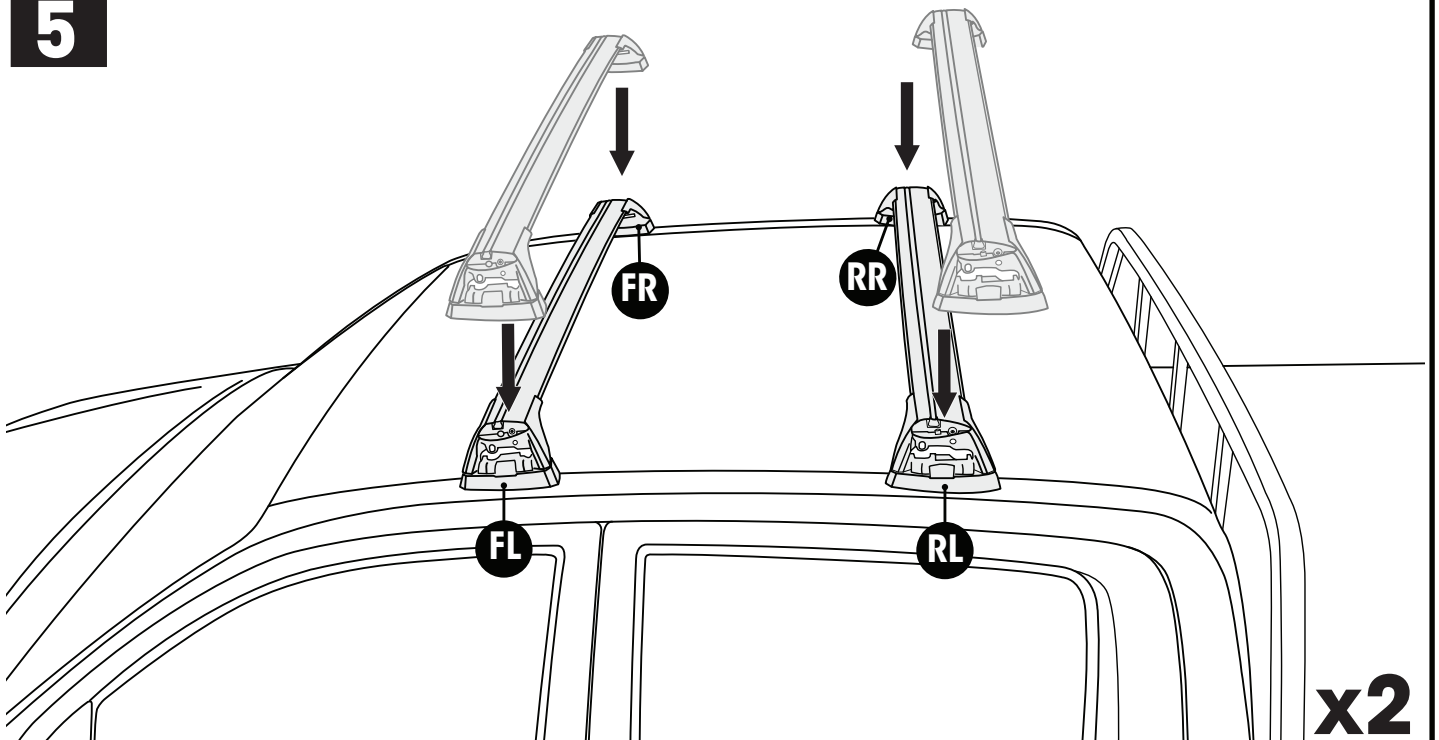
RL = 11-04-220

4

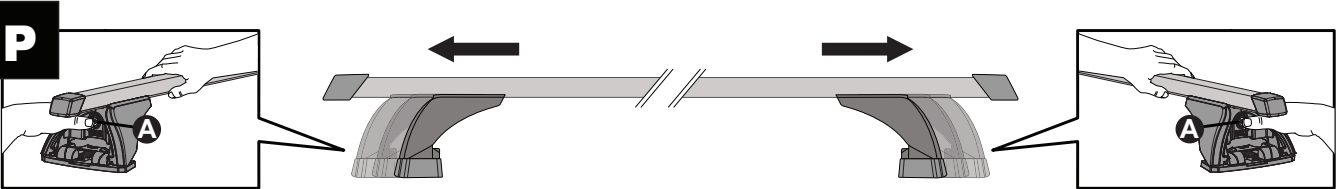
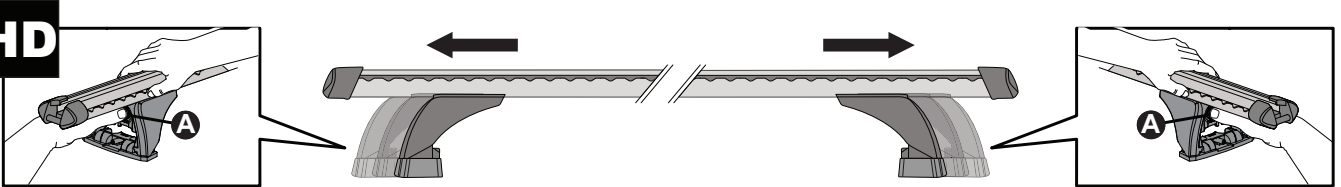
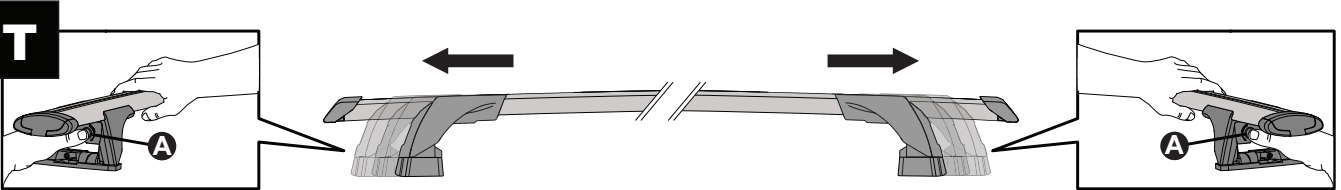
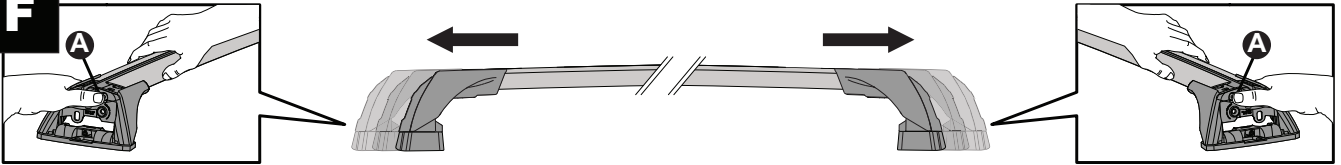
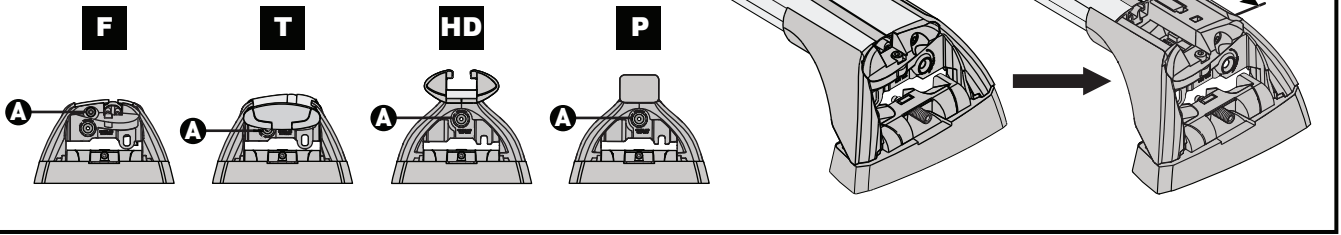


PLACEMENT • PLATZIERUNG • COLOCACIÓN • MONTAGE • PLASSERING • COLOCAÇÃO • РАЗМЕЩЕНИЕ • MONTAGGIO
UMIESZCZENIE • UMÍSTĚNÍ • UMIESTNENIE • PLAATSING • PLACERING • PLACERING • РОЗМІЩЕННЯ • SIJOITTA

5

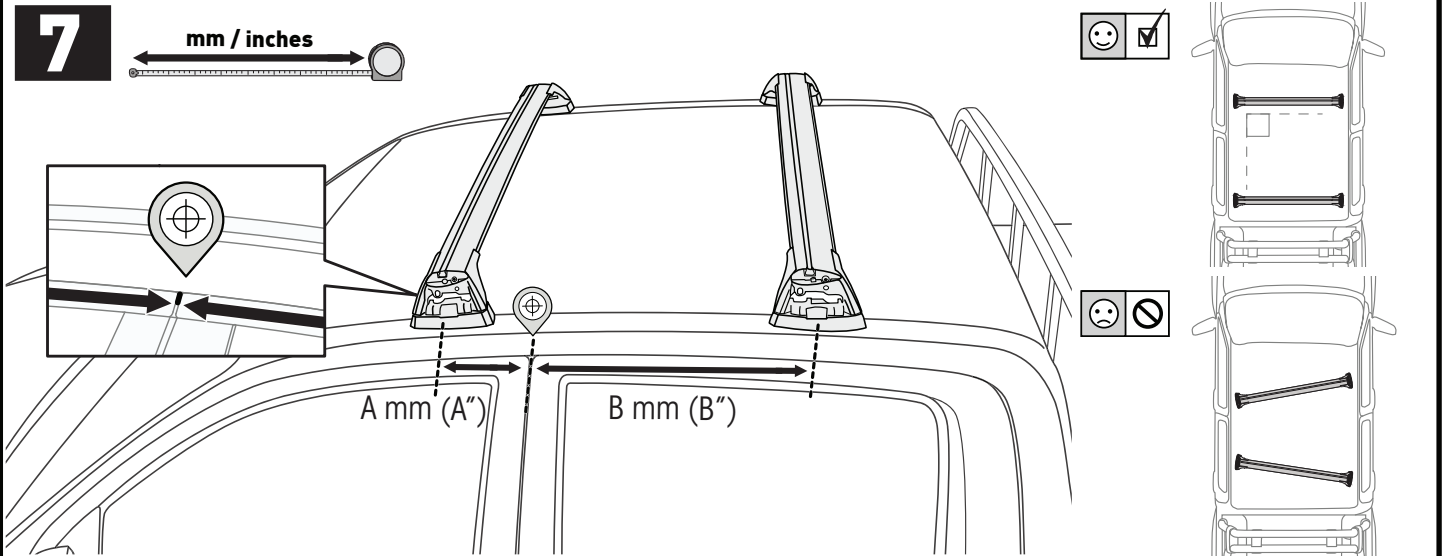




6





7

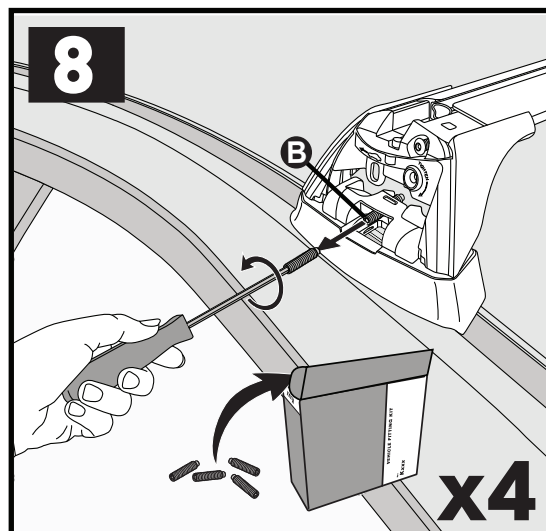
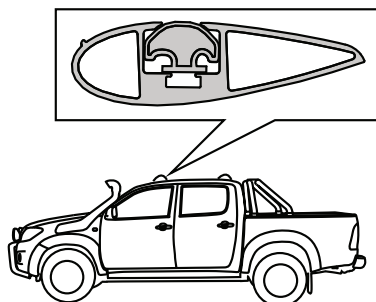
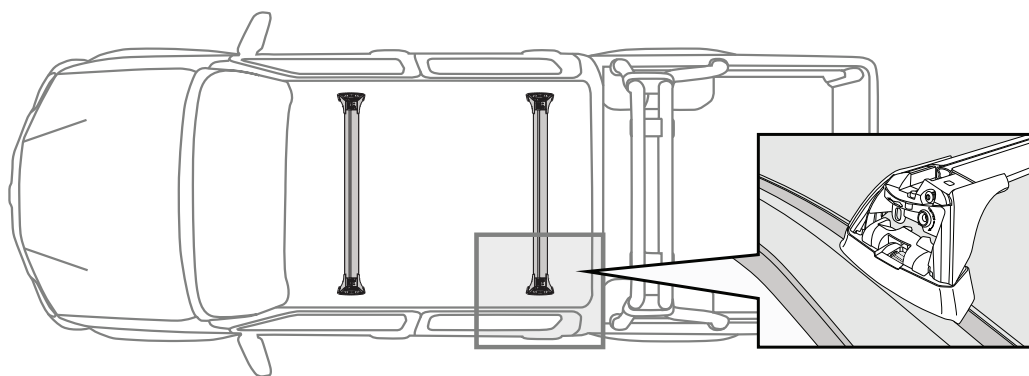
mm / inches



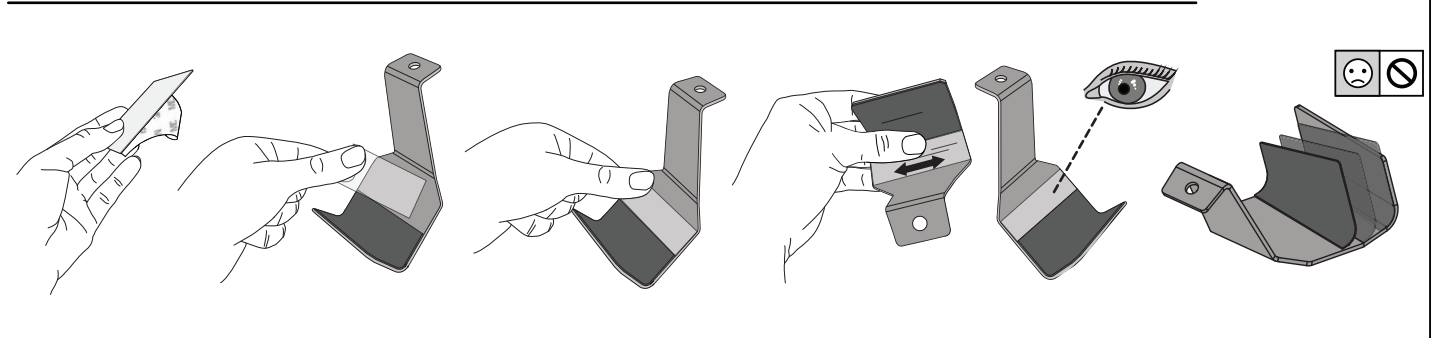
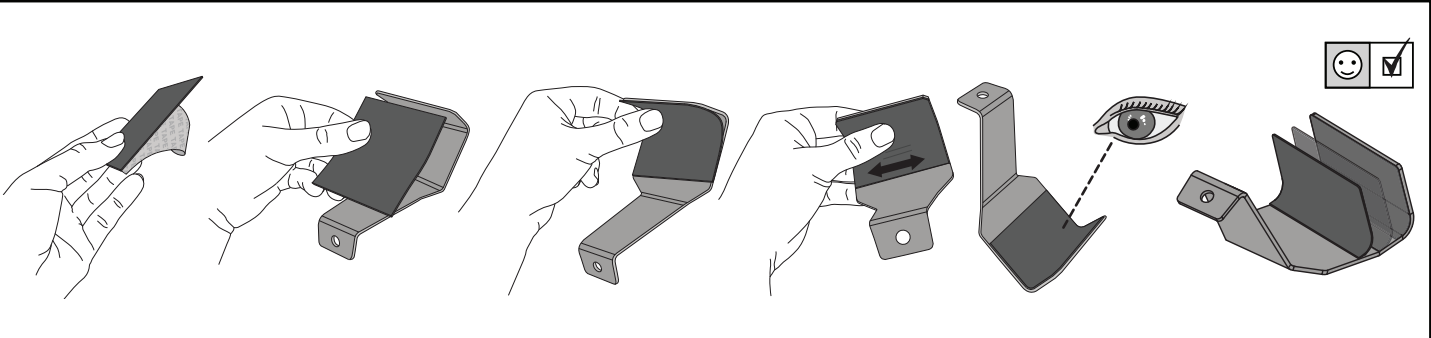
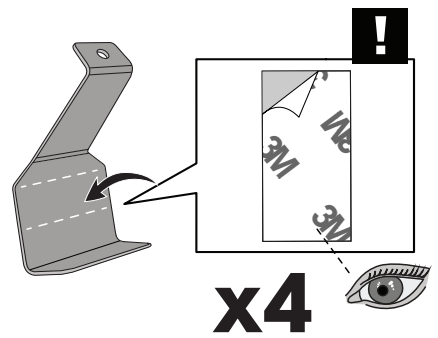
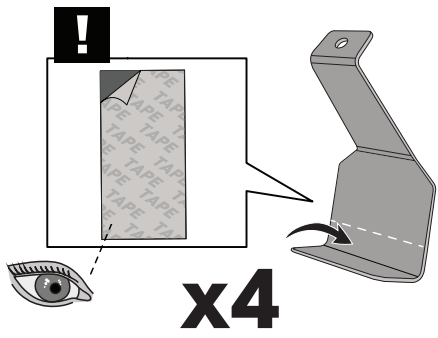
		A	B
Ford Ranger Double Cab, 4dr Ute Nov 11-Jul 15	AU, EU, NZ, ZA	A = 220 mm (8 5/8")	B = 530 mm (20 7/8")
Ford Ranger Double Cab, 4dr Ute Aug 15+	AU, EU, NZ, ZA	A = 220 mm (8 5/8")	B = 530 mm (20 7/8")
Ford Ranger Single Cab, 2dr Ute 12-15	AU, EU, NZ, ZA	A = 220 mm (8 5/8")	-

		A	B
Ford Ranger Single Cab, 2dr Ute Jan 15+	AU, NZ, ZA	A =220 mm (8 5/8")	-
Ford Ranger Regular Cab, 2dr Ute 15+	EU	A =220 mm (8 5/8")	-
Ford Ranger Super Cab, 4dr Ute Jan 12-15	AU, EU, NZ, ZA	A =230 mm (9")	B = 370 mm (14 5/8")
Ford Ranger Super Cab, 4dr Ute Aug 15+	AU, EU, NZ, ZA	A =230 mm (9")	B = 370 mm (14 5/8")
Ford Ranger Raptor Double Cab, 4dr Ute 18+	AU, NZ, ZA	A =220 mm (8 5/8")	B = 530 mm (20 7/8")
Mazda BT-50 Dual Cab, 4dr Ute Nov 11-Aug 15	AU, EU, NZ, ZA	A =220 mm (8 5/8")	B = 530 mm (20 7/8")
Mazda BT-50 Dual Cab, 4dr Ute Sep 15-May 18	AU, NZ	A =220 mm (8 5/8")	B = 530 mm (20 7/8")
Mazda BT-50 Dual Cab, 4dr Ute 15-May 18	ZA	A =220 mm (8 5/8")	B = 530 mm (20 7/8")
Mazda BT-50 Dual Cab, 4dr Ute Jun 18-Sep 20	AU, NZ	A =220 mm (8 5/8")	B = 530 mm (20 7/8")
Mazda BT-50 Dual Cab, 4dr Ute Jun 18-20	ZA	A =220 mm (8 5/8")	B = 530 mm (20 7/8")
Mazda BT-50 Freestyle Cab, 4dr Ute 11 Nov-15 Aug	AU, NZ, ZA	A =230 mm (9")	B = 370 mm (14 5/8")
Mazda BT-50 Freestyle Cab, 4dr Ute Sep 15-May 18	AU, NZ	A =230 mm (9")	B = 370 mm (14 5/8")
Mazda BT-50 Freestyle Cab, 4dr Ute 15-May 18	ZA	A =230 mm (9")	B = 370 mm (14 5/8")
Mazda BT-50 Freestyle Cab, 4dr Ute Jun 18+	AU, NZ, ZA	A =230 mm (9")	B = 370 mm (14 5/8")
Mazda BT-50 Single Cab, 2dr Ute 11 Nov-15 Aug	AU, NZ, ZA	A =220 mm (8 5/8")	-
Mazda BT-50 Single Cab, 2dr Ute Sep 15-May 18	AU, NZ, ZA	A =220 mm (8 5/8")	-
Mazda BT-50 Single Cab, 2dr Ute Jun 18+	AU, NZ, ZA	A =220 mm (8 5/8")	-

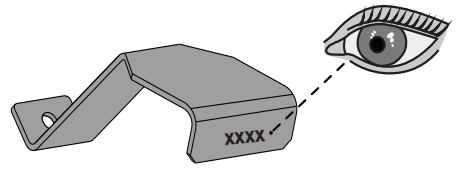
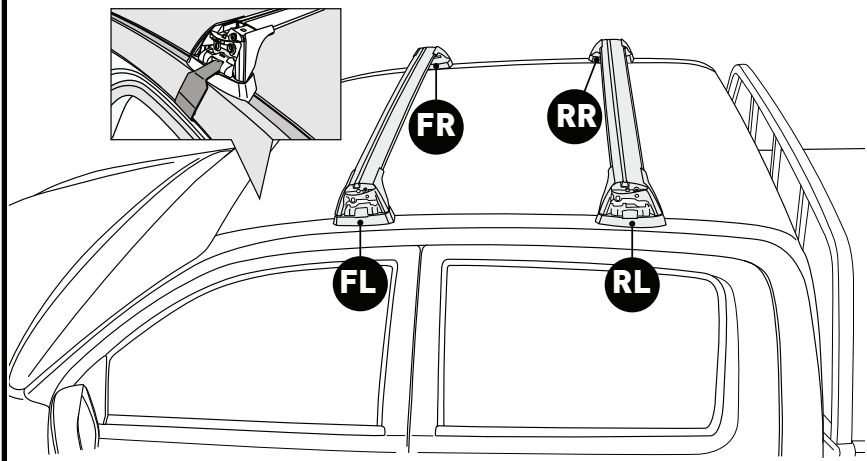
**PLACEMENT • PLATZIERUNG • COLOCACIÓN • MONTAGE • PLASSERING • COLOCAÇÃO • РАЗМЕЩЕНИЕ • MONTAGGIO
UMIESZCZENIE • UMÍSTĚNÍ • UMIESTNENIE • PLAATSING • PLACERING • PLACERING • РОЗМІЩЕННЯ • СИՋՈՒՏԱՂ**



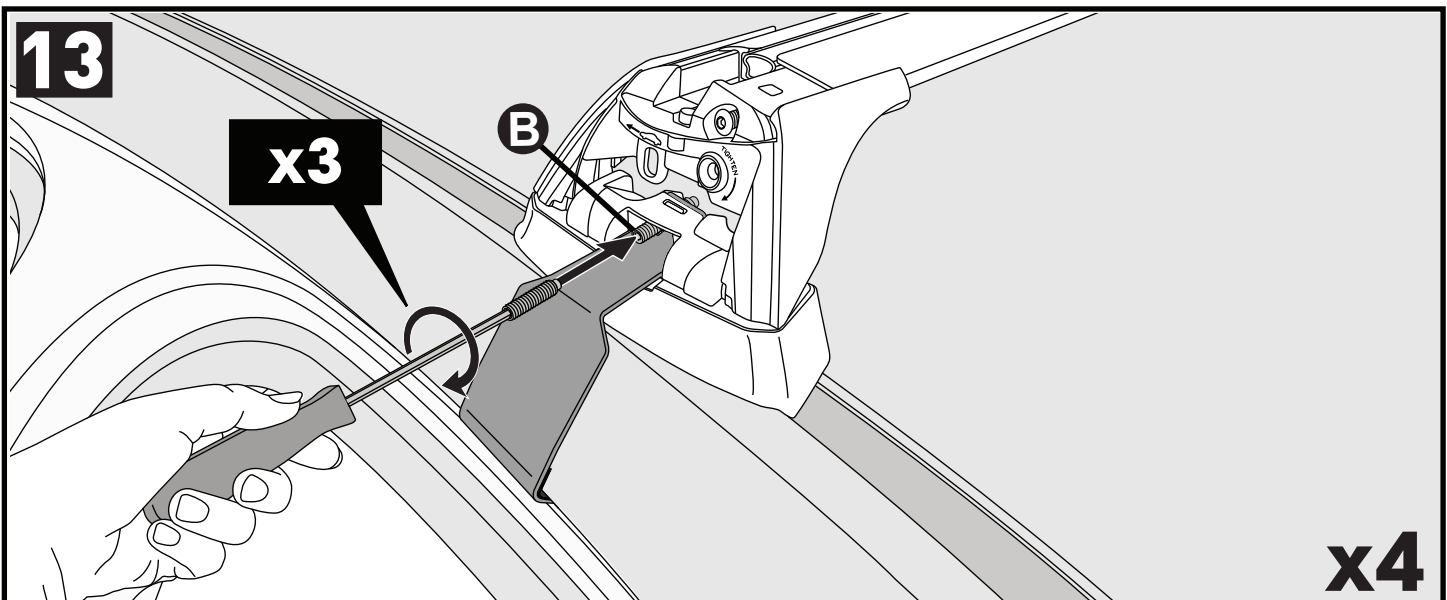
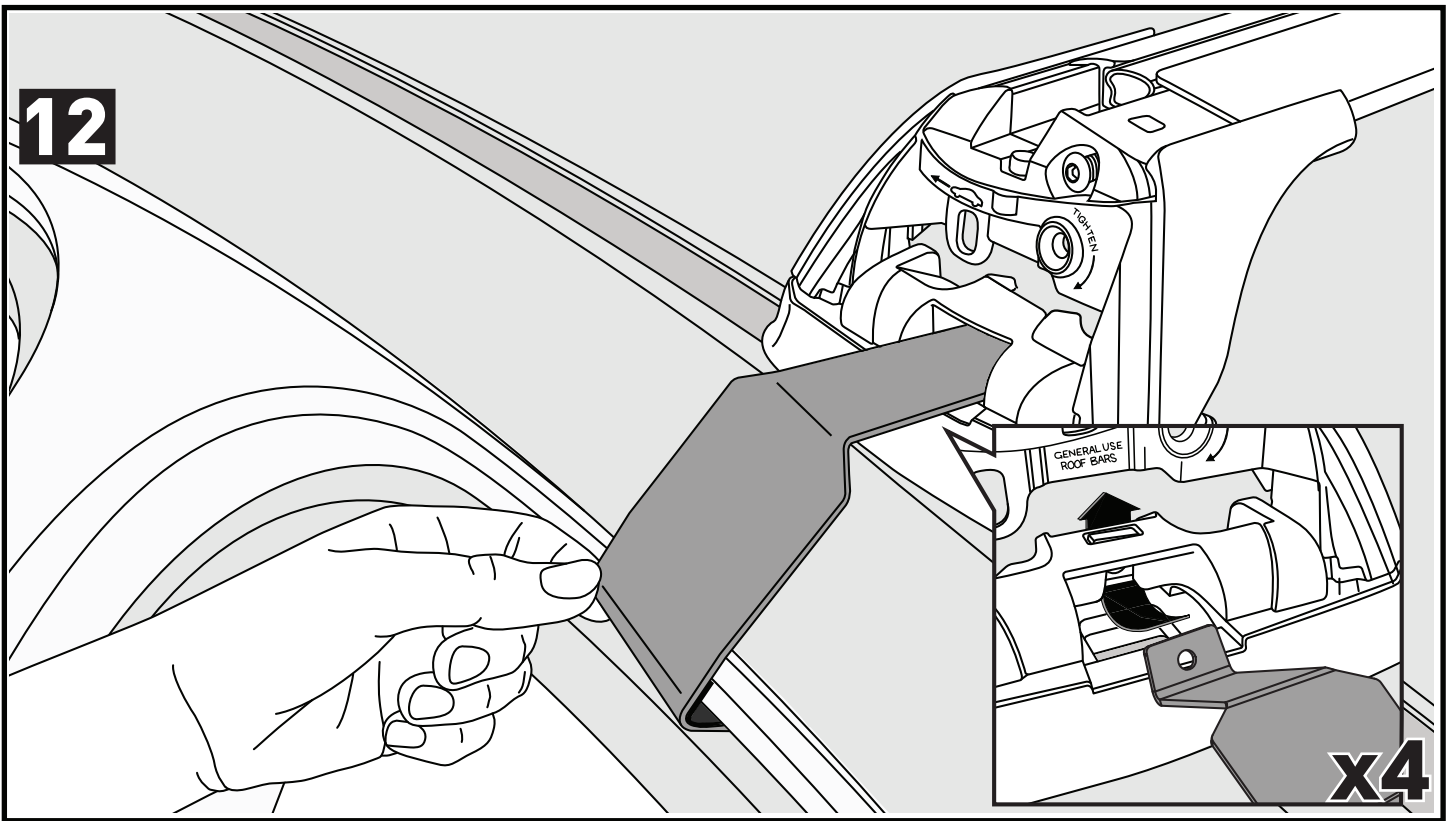
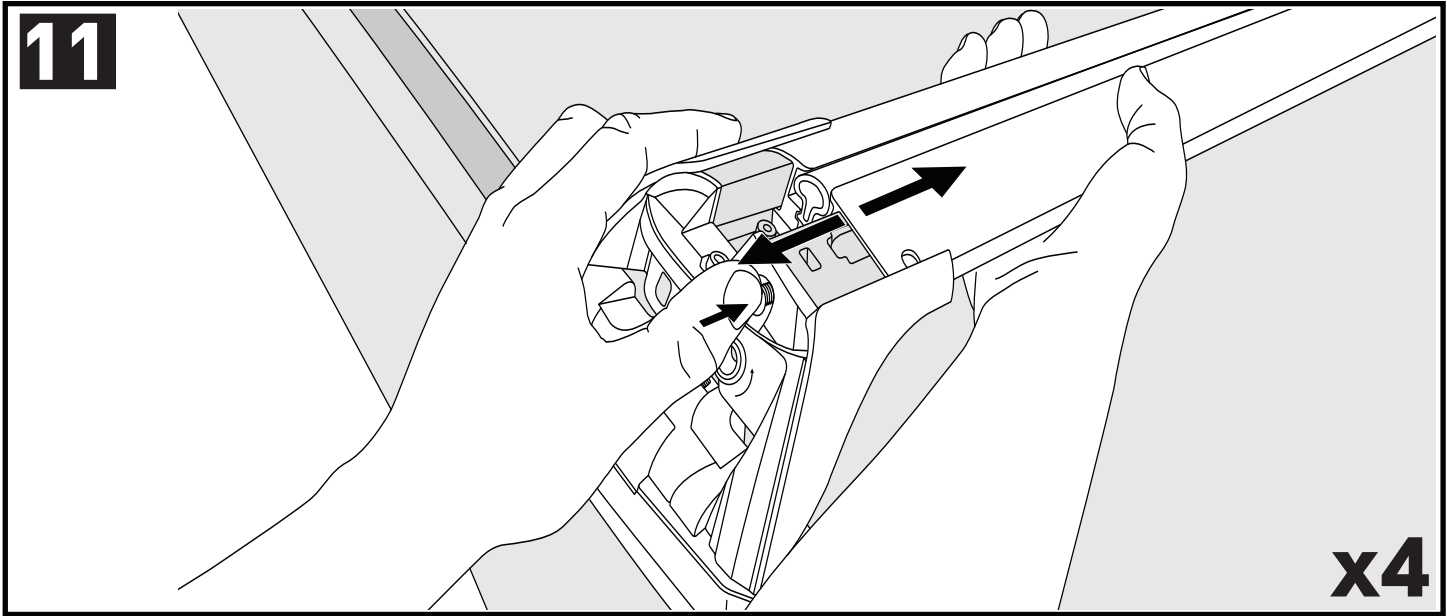
9



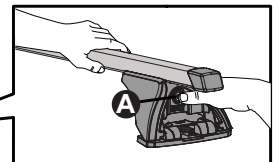
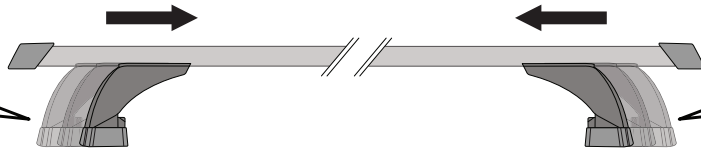
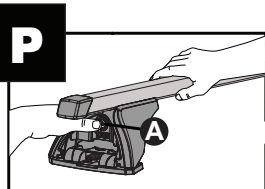
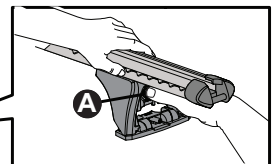
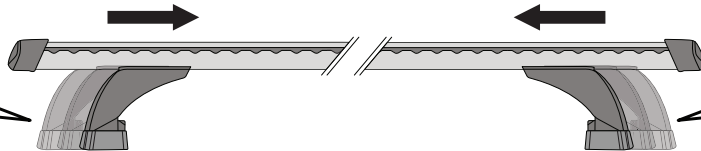
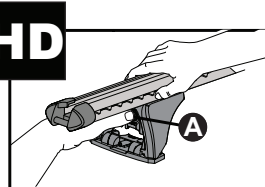
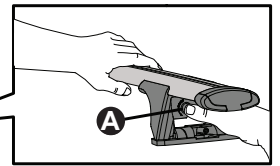
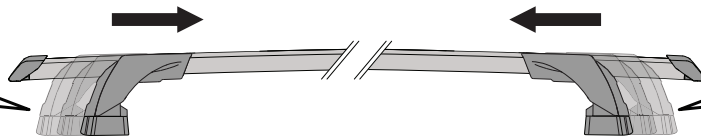
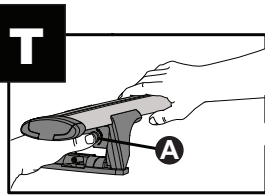
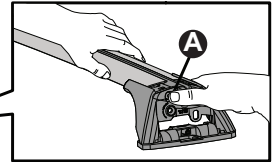
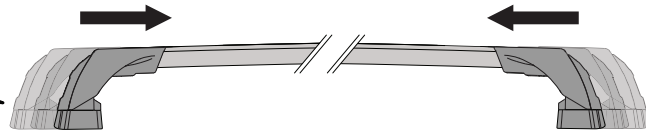
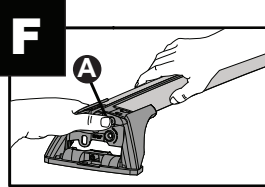
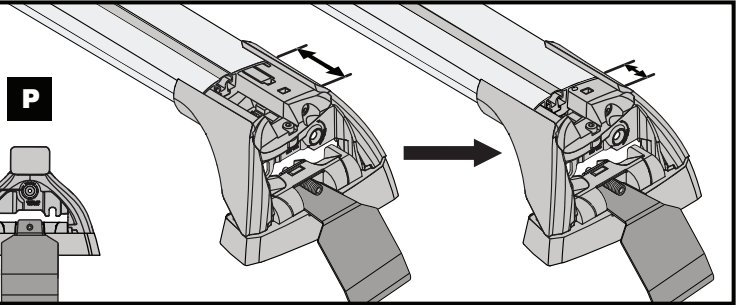
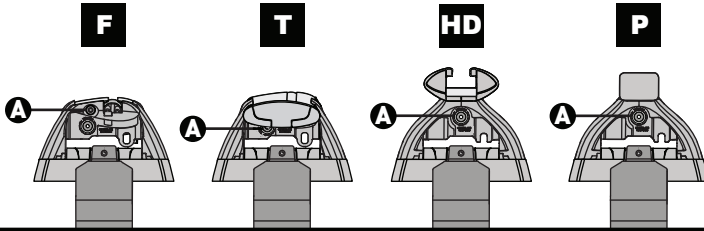
10



- FR = A609**
- FL = A609**
- RR = A610**
- RL = A610**

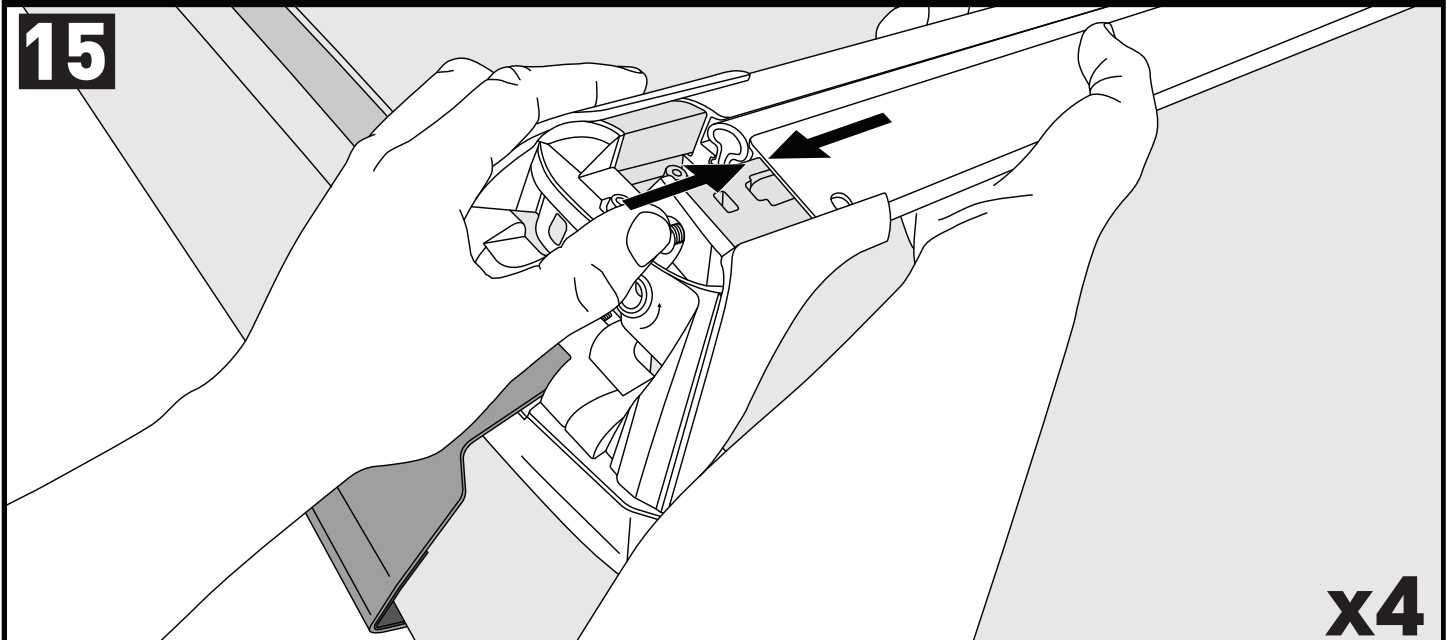


14

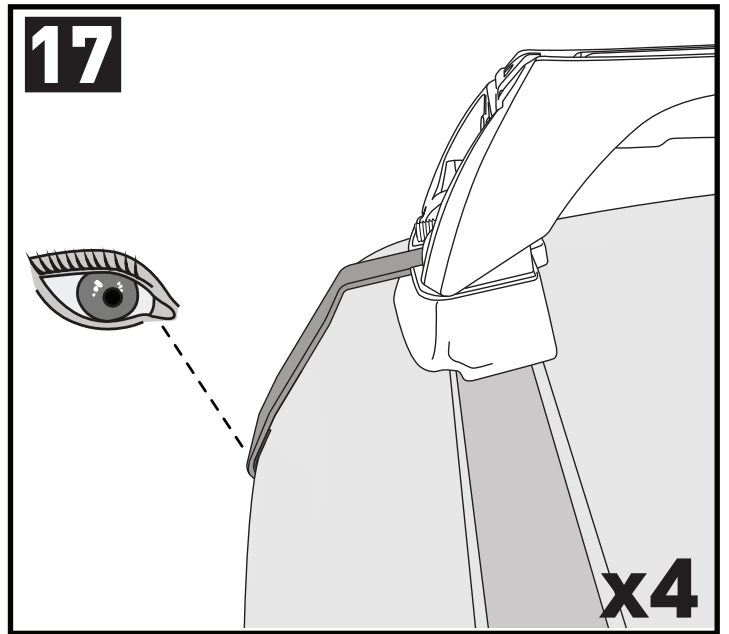
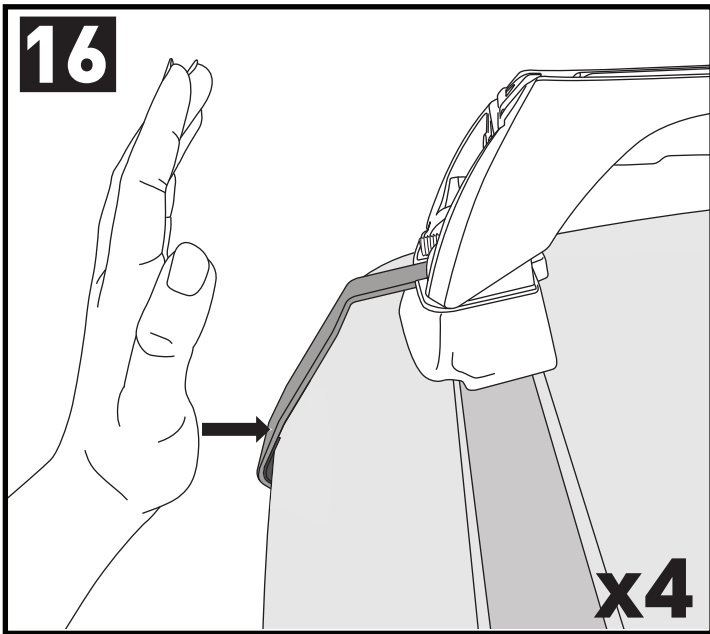


CLOSE • GESCHLOSSEN • CERRAR • FERMER • LUKKE • FECHAR • ЗАКРЫТЬ • CHIUDERE • BLISKO ZAVŘÍT • ZAVRIET' • GESLOTEN • STÄNGA • LUK • ЗАКРИТИ • SULKEA

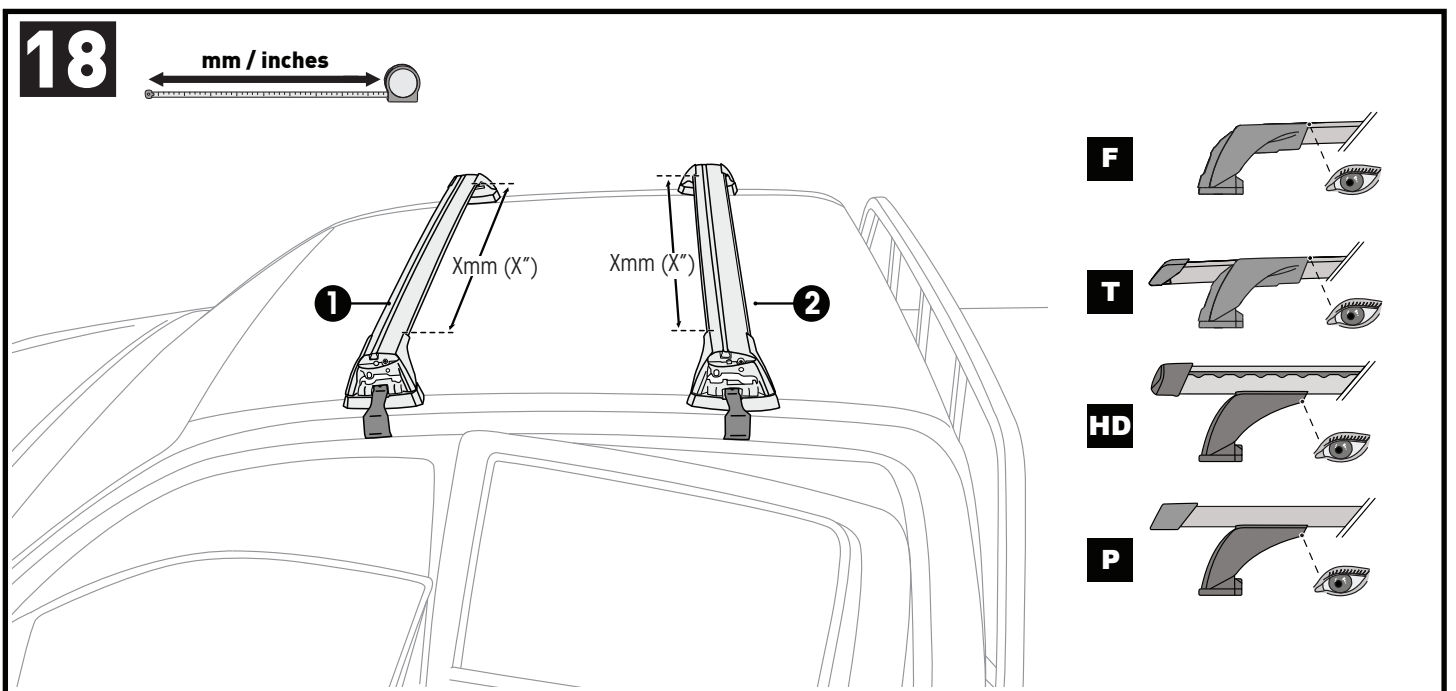
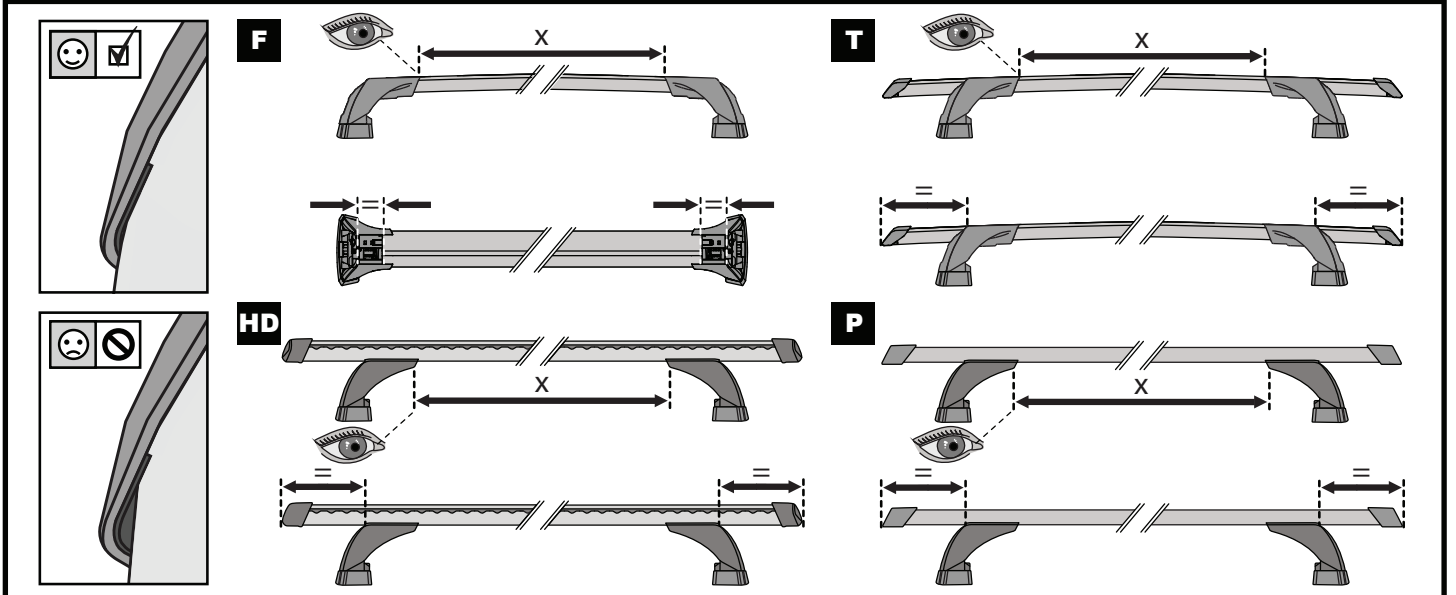
15





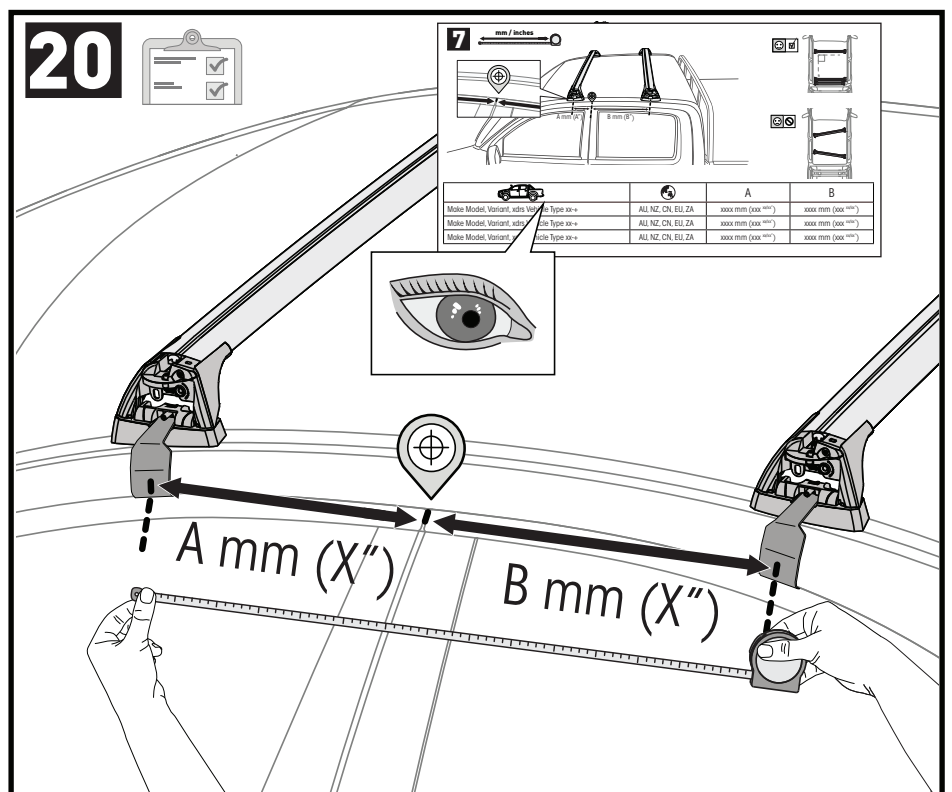
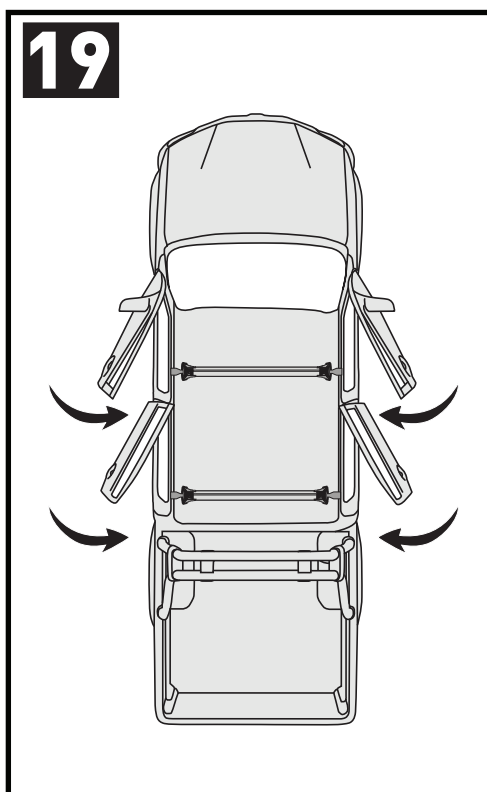
x4



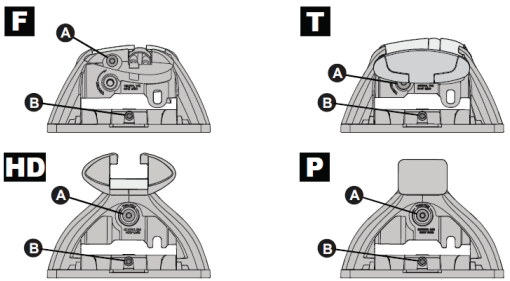
**ATTENTION • ACHTUNG • ATENCIÓN • ATTENTION • OPPMERKSOMHET • ATENÇÃO • ВНИМАНИЕ • ATTENZIONE
 UWAGA • UPOZORNĚNÍ • UPOZORNENIE • LET OP • UPPMÄRKSAMHET • OPMÆRKSOMHED • УВАГА • HUOMIO**



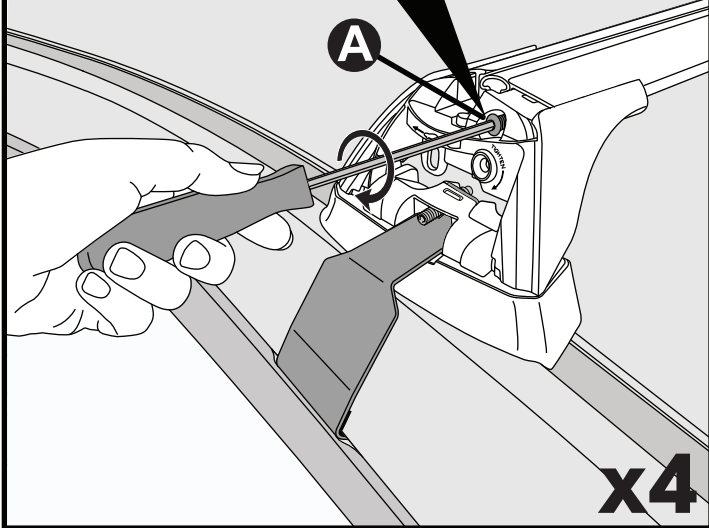
		1	2
Ford Ranger Double Cab, 4dr Ute Nov 11-Jul 15	AU, EU, NZ, ZA	X = 935 mm (36 3/4")	X = 915 mm (36")
Ford Ranger Double Cab, 4dr Ute Aug 15+	AU, EU, NZ, ZA	X = 935 mm (36 3/4")	X = 915 mm (36")
Ford Ranger Single Cab, 2dr Ute 12- 5	AU, EU, NZ, ZA	X = 940 mm (37")	-
Ford Ranger Single Cab, 2dr Ute Jan 15+	AU, NZ, ZA	X = 940 mm (37")	-
Ford Ranger Regular Cab, 2dr Ute 15+	EU	X = 940 mm (37")	-
Ford Ranger Super Cab, 4dr Ute Jan 12-15	AU, EU, NZ, ZA	X = 935 mm (36 3/4")	X = 915 mm (36")
Ford Ranger Super Cab, 4dr Ute Aug 15+	AU, EU, NZ, ZA	X = 935 mm (36 3/4")	X = 915 mm (36")
Ford Ranger Raptor Double Cab, 4dr Ute 18+	AU, NZ, ZA	X = 937 mm (36 7/8")	X = 930 mm (36 5/8")
Mazda BT-50 Dual Cab, 4dr Ute Nov 11-Aug 15	AU, EU, NZ, ZA	X = 935 mm (36 3/4")	X = 915 mm (36")
Mazda BT-50 Dual Cab, 4dr Ute Sep 15-May 18	AU, NZ	X = 935 mm (36 3/4")	X = 925 mm (36 3/8")
Mazda BT-50 Dual Cab, 4dr Ute 15-May 18	ZA	X = 935 mm (36 3/4")	X = 925 mm (36 3/8")
Mazda BT-50 Dual Cab, 4dr Ute Jun 18-Sep 20	AU, NZ	X = 935 mm (36 3/4")	X = 925 mm (36 3/8")
Mazda BT-50 Dual Cab, 4dr Ute Jun 18-20	ZA	X = 935 mm (36 3/4")	X = 925 mm (36 3/8")
Mazda BT-50 Freestyle Cab, 4dr Ute 11 Nov-15 Aug	AU, NZ, ZA	X = 935 mm (36 3/4")	X = 925 mm (36 3/8")
Mazda BT-50 Freestyle Cab, 4dr Ute Sep 15-May 18	AU, NZ	X = 935 mm (36 3/4")	X = 925 mm (36 3/8")
Mazda BT-50 Freestyle Cab, 4dr Ute 15-May 18	ZA	X = 935 mm (36 3/4")	X = 925 mm (36 3/8")
Mazda BT-50 Freestyle Cab, 4dr Ute Jun 18+	AU, NZ, ZA	X = 935 mm (36 3/4")	X = 925 mm (36 3/8")
Mazda BT-50 Single Cab, 2dr Ute 11 Nov-15 Aug	AU, NZ, ZA	X = 940 mm (37")	-
Mazda BT-50 Single Cab, 2dr Ute Sep 15-May 18	AU, NZ, ZA	X = 935 mm (36 3/4")	-
Mazda BT-50 Single Cab, 2dr Ute Jun 18+	AU, NZ, ZA	X = 935 mm (36 3/4")	-



21



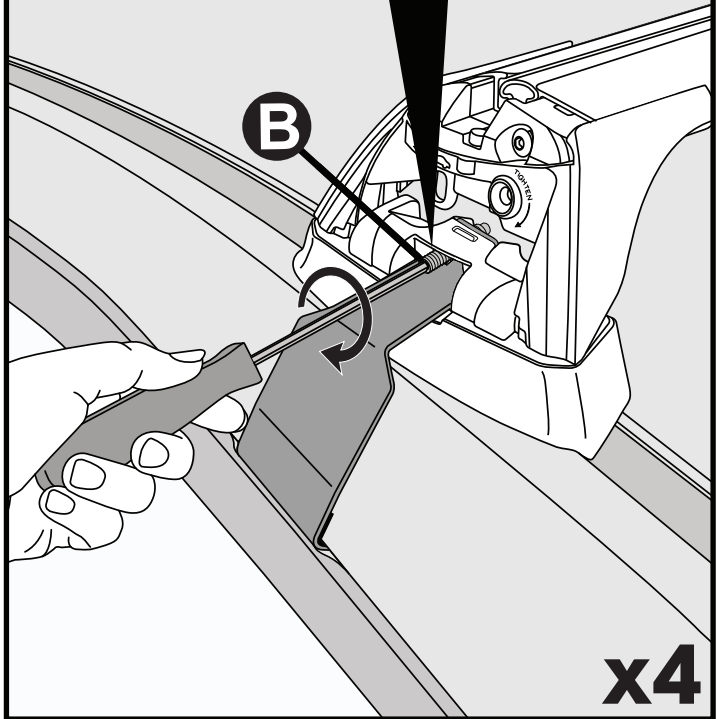
2 Nm
(18 lb-in)



x4

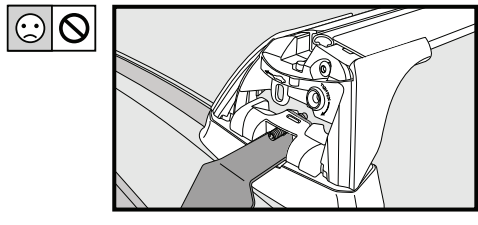
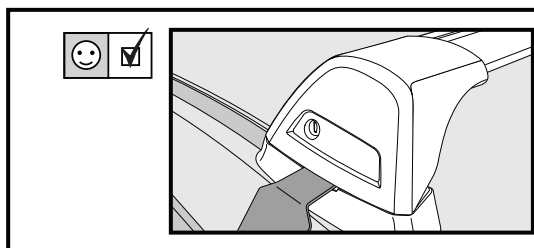
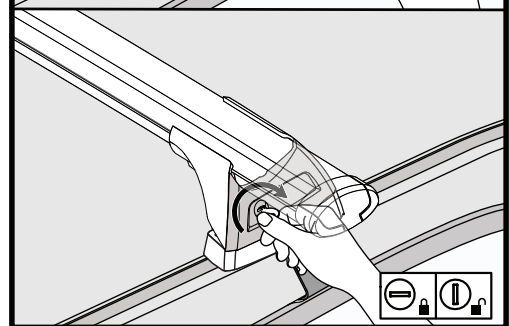
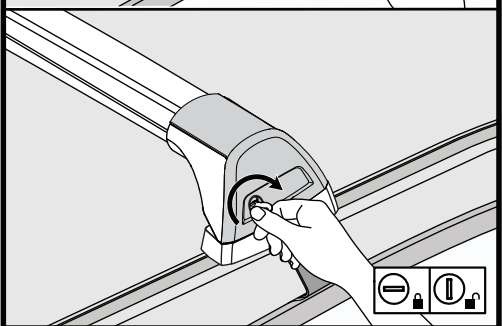
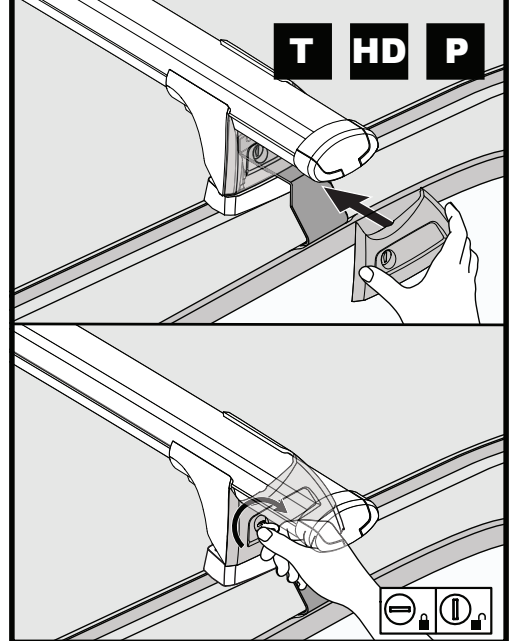
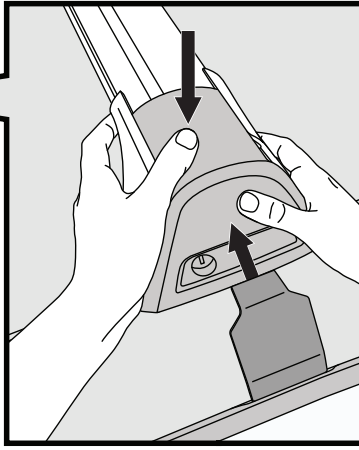
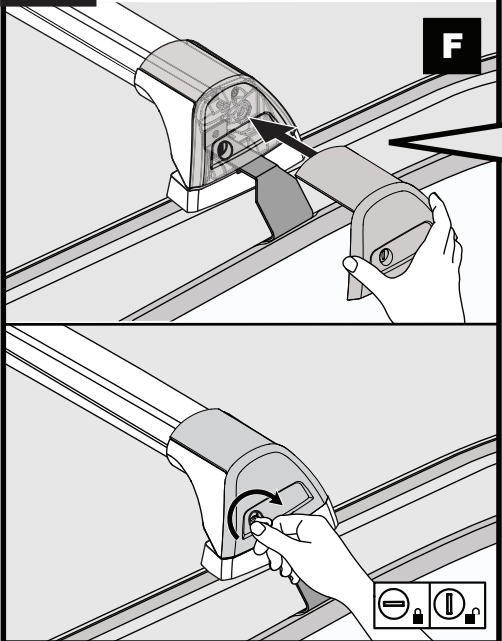
22

2.5 Nm
(22 lb-in)

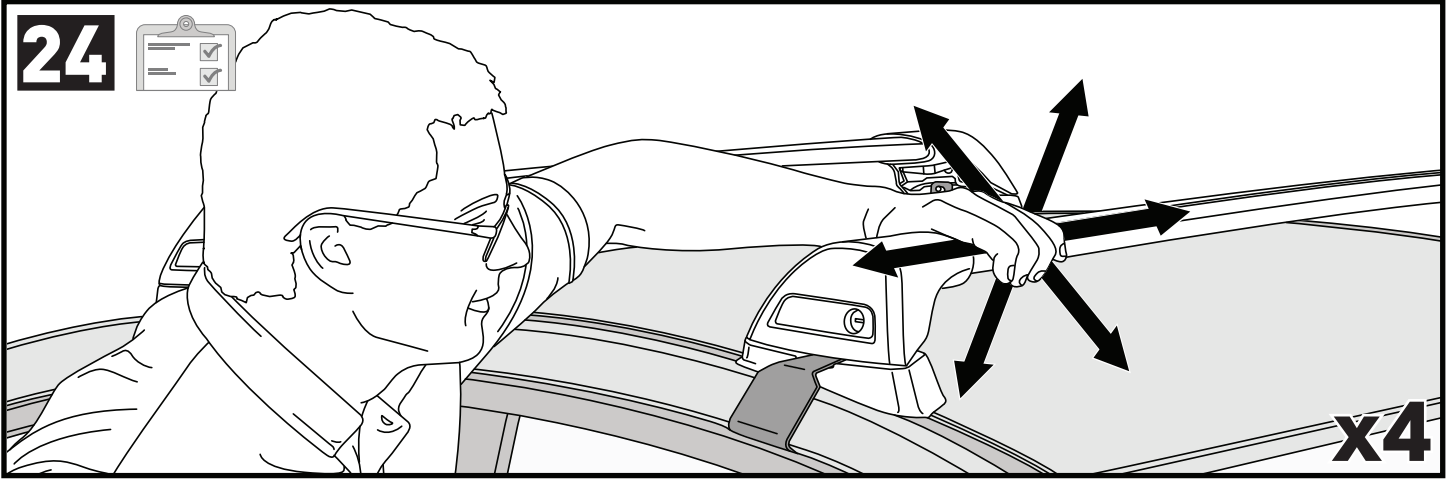


x4

23

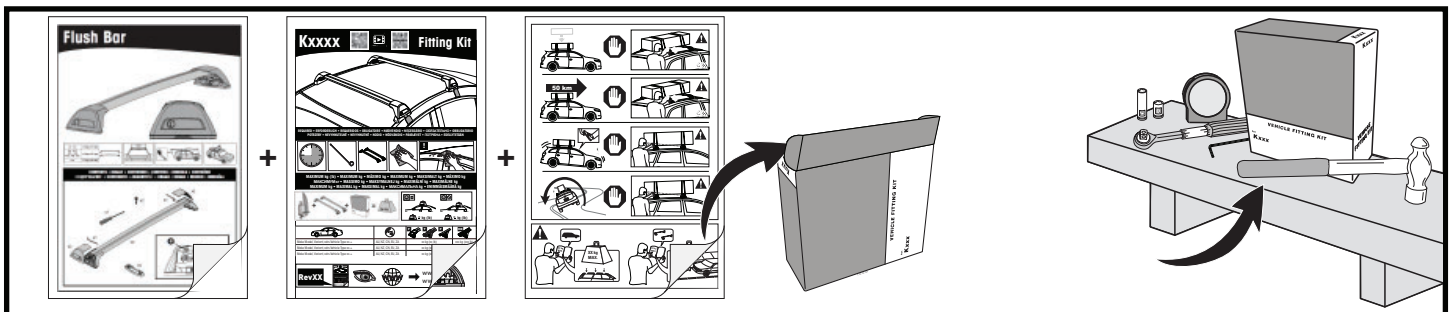
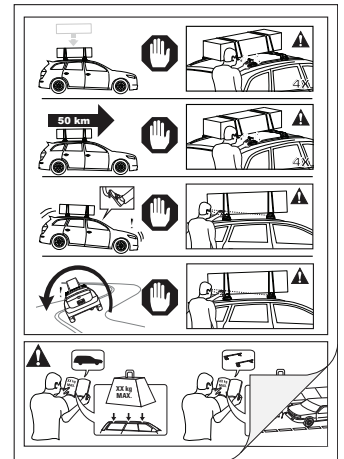


x4

24

**ATTENTION • ACHTUNG • ATENCIÓN • ATTENTION • OPPMERKSOMHET • ATENÇÃO • ВНИМАНИЕ • ATTENZIONE
UWAGA • UPOZORNĚNÍ • UPOZORNENIE • LET OP • UPPMÄRKSAMHET • OPMÆRKSOMHED • УВАГА • HUOMIO**

- EN** Please read safety and warranty booklet included with this product prior to use. For more information visit your local dealer.
- DE** Bitte lesen und beachten Sie die beiliegende Montageanleitung, Sicherheitshinweise und Garantiebedingungen bevor Sie das Produkt montieren/benutzen. Für weitere Informationen kontaktieren Sie bitte Ihren Händler.
- ES** Por favor, lea folleto de seguridad y garantía que se incluye con este producto antes de su uso. Para obtener más información, visite a su distribuidor local.
- FR** Veuillez lire attentivement le manuel de sécurité et de garantie avant utilisation. Pour plus d'informations, visitez votre concessionnaire local.
- NO** Vennligst les hefte om sikkerhet og garanti som er vedlagt dette produkt før det tas i bruk. For mer informasjon ta kontakt med din forhandler.
- PT** Por favor leia o manual de segurança e garantia incluído, antes de utilizar o produto. Para mais informações visite o seu revendedor local.
- RU** Пожалуйста, ознакомьтесь с инструкцией перед тем, как использовать товар. Для получения более подробной информации обратитесь к местному дилеру.
- IT** Si prega di leggere il libretto di sicurezza e garanzia incluso nel prodotto prima dell'uso. Per maggiori informazioni visita il rivenditore locale.
- PL** Proszę zapoznać się z warunkami gwarancji i bezpieczeństwa przed użyciem produktu. W celu uzyskania dodatkowych informacji proszę kontaktować się z najbliższym autoryzowanym punktem sprzedaży.
- CS** Před použitím si prosím přečtěte příložené informace o bezpečnosti a záručních podmínkách. Pro více informací navštivte nejbližšího dealera.
- SK** Pred použitím si prosím prečítajte priložené informácie o bezpečnosti a záručných podmienkach. Pre viac informácií navštívte najbližšieho dileru.
- NL** A.U.B. bijgesloten garantie- en veiligheidsinstructies grondig lezen voor gebruik van dit product. Voor meer informatie graag contact opnemen met uw dealer.
- SV** Var snäll och läs igenom säkerhets- och garantihäftet som medföljer produkten före användning. För mer information besök din lokala återförsäljare.
- DK** Læs venligst sikkerheds- og garantibogholderen, der følger med dette produkt, inden brug. For mere information besøg din lokale forhandler.
- UA** Будь ласка, ознайомтеся з брошурою безпеки та гарантії, включені до цього продукту перед використанням. Для отримання додаткової інформації відвідайте місцевого дилера.
- FI** Lue tämän tuotteen mukana toimitetut turvallisuus- ja takuu huoltopalvelut ennen käyttöä. Lisätietoja saat paikalliselta jälleenmyyjältä.



Yakima Australia Pty Ltd
17 Hinkler Court, Brendale
QLD 4500, Australia
1800 143 548
www.prorack.com.au
www.whispbar.com.au
www.yakima.com.au

Yakima Products, Inc.
4101 Kruse Way
Lake Oswego, OR. 97035 USA
888 925 4621
www.yakima.com

WORKS WITH:
Prorack
WHISPBAR
YAKIMA