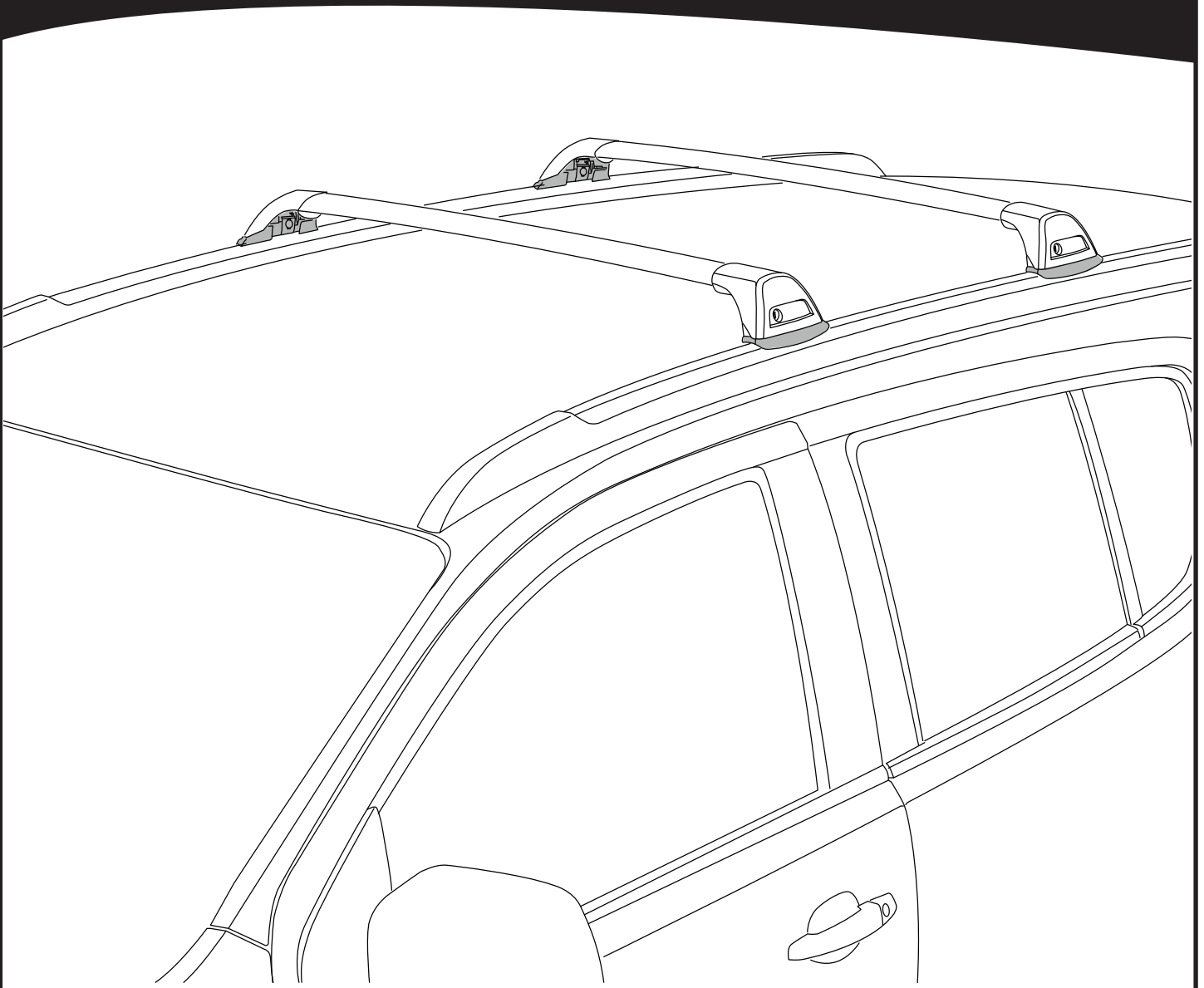
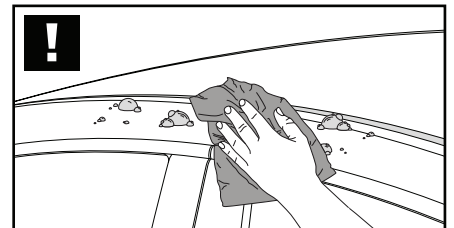
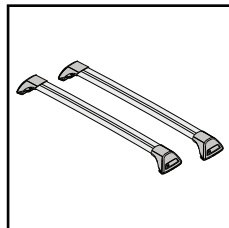
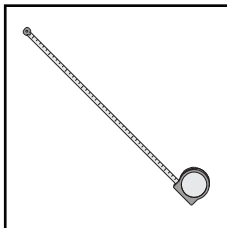
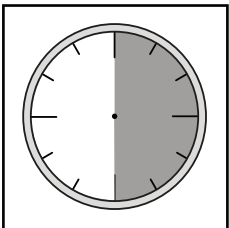


# K325

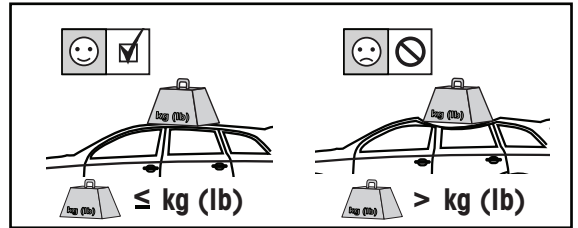
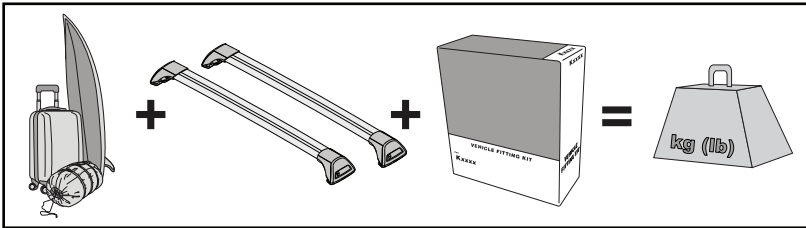
# Fitting Kit



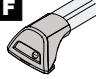
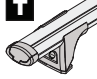
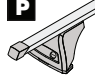
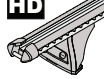


**REQUIRED • ERFORDERLICH • REQUERIDOS • OBLIGATOIRE • NØDVENDIG • NECESSÁRIO • ОБЯЗАТЕЛЬНО • OBBLIGATORIO  
POTRZEBY • NEVYHNUTELNÉ • NEVYHNUTNÉ • NODIG • NÖDVÄNDIG • PÅKRÆVET • ПОТРІБНА • EDELLYTETÄÄN**

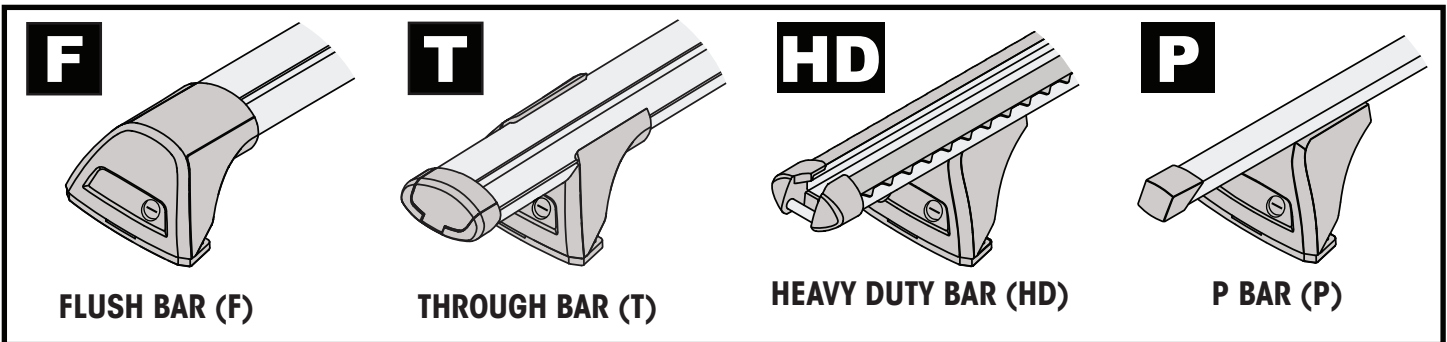
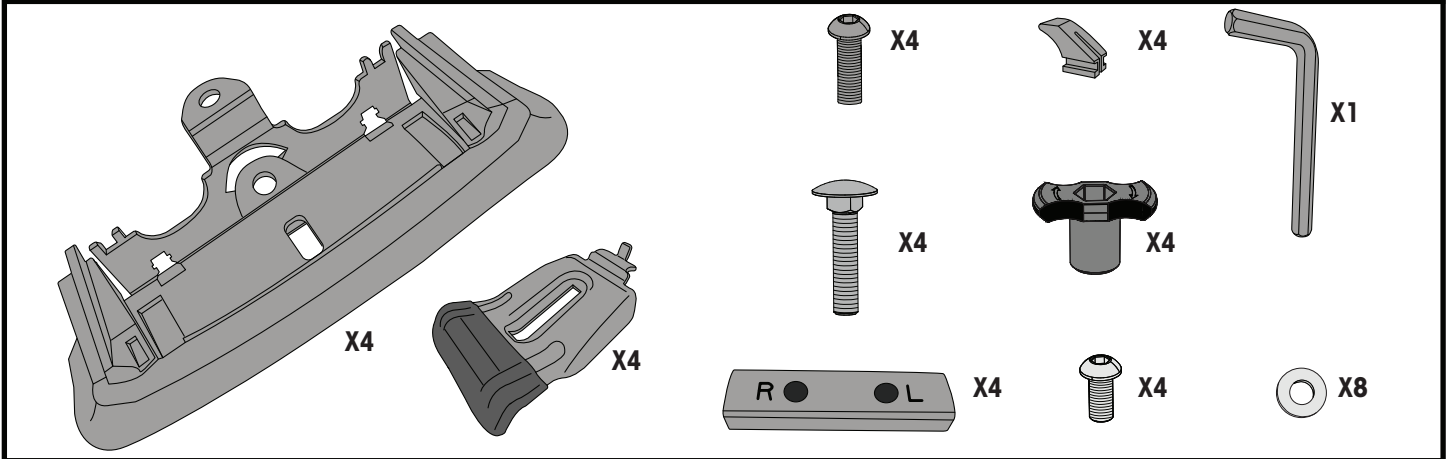


**MAXIMUM kg (lb) • MAXIMUM kg • MÁXIMO kg • MAXIMUM kg • MAKSIMALT kg • MÁXIMO kg  
 МАКСИМУМ кг • MASSIMO kg • MAKSIMALNEJ kg • MAXIMÁLNÍ kg • MAXIMÁLNE kg  
 MAXIMUM kg • MAXIMAL kg • MAKSIMAL kg • МАКСИМАЛЬНА kg • ENIMMÄISMÄÄRÄ kg**

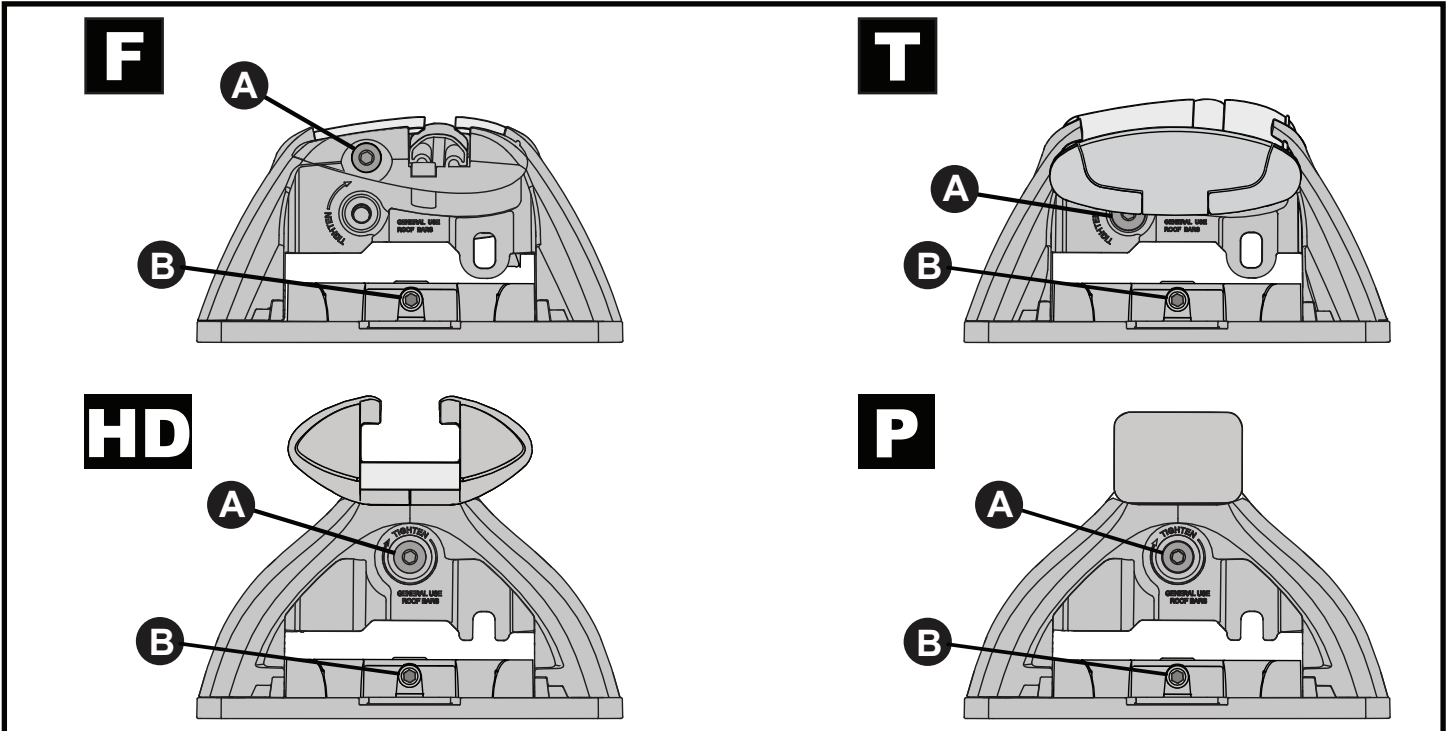
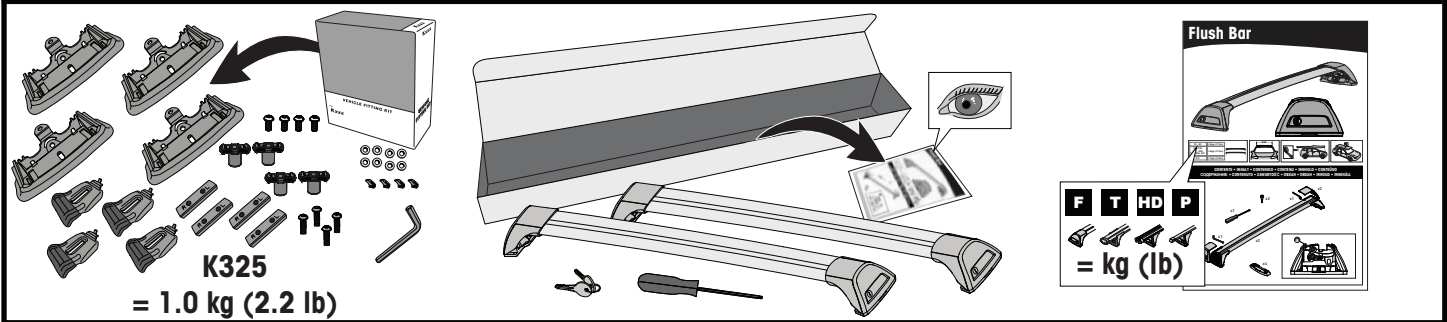


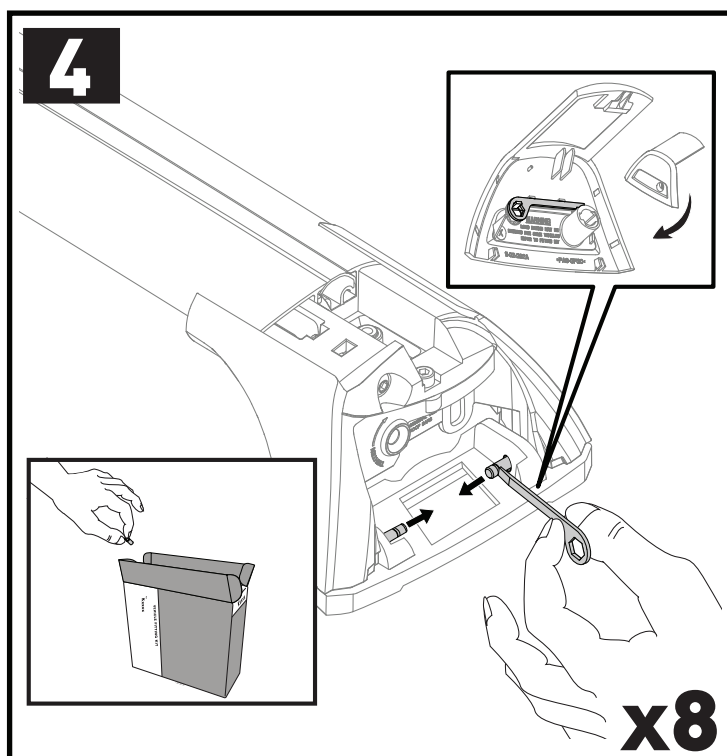
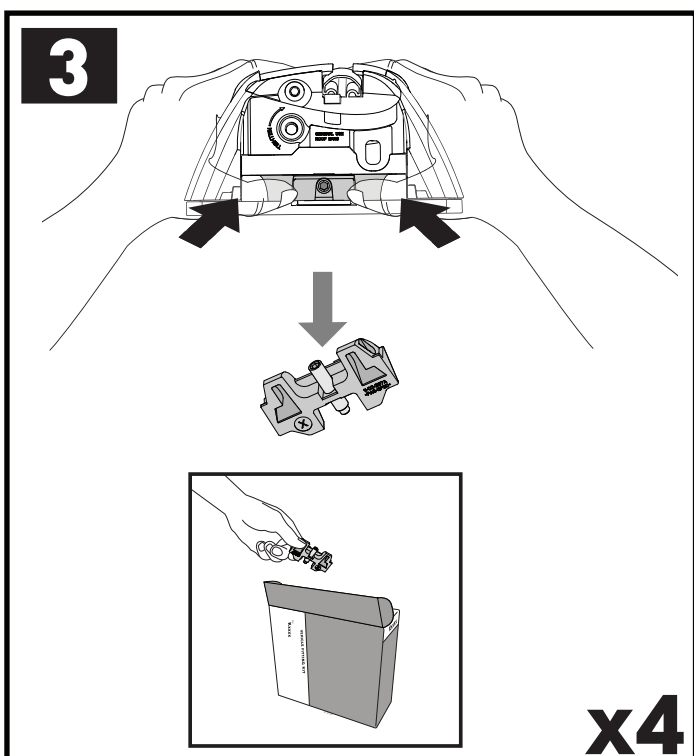
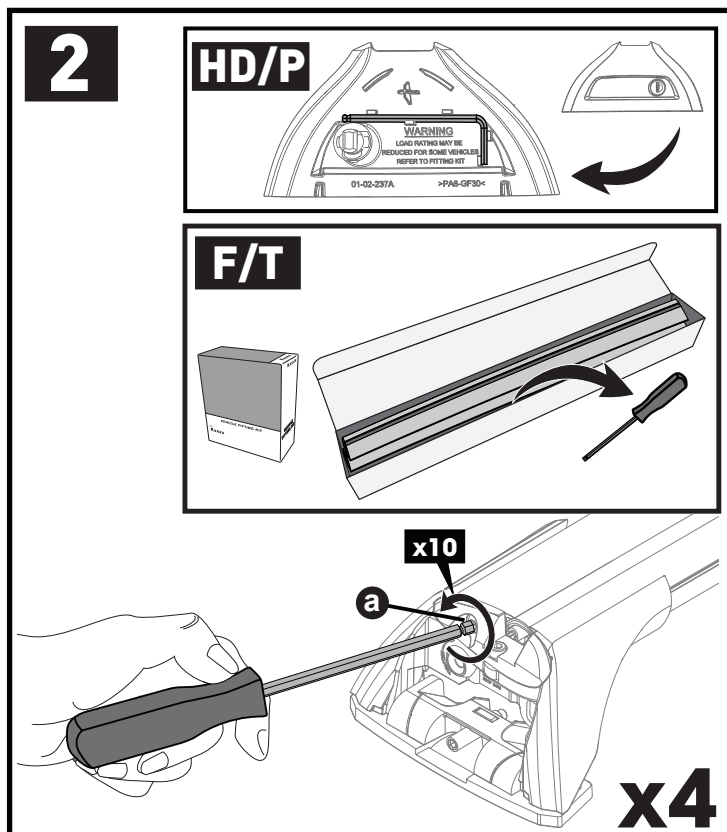
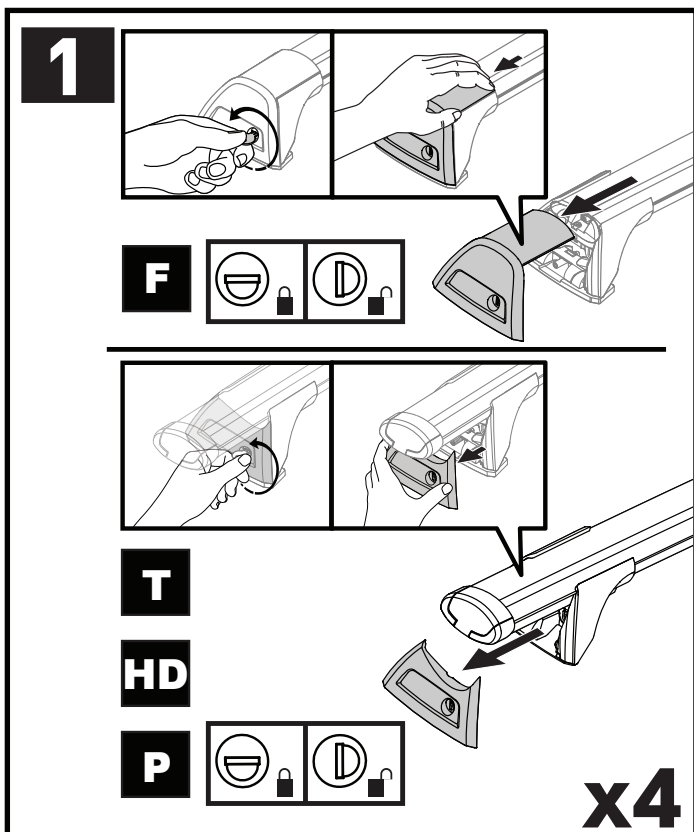
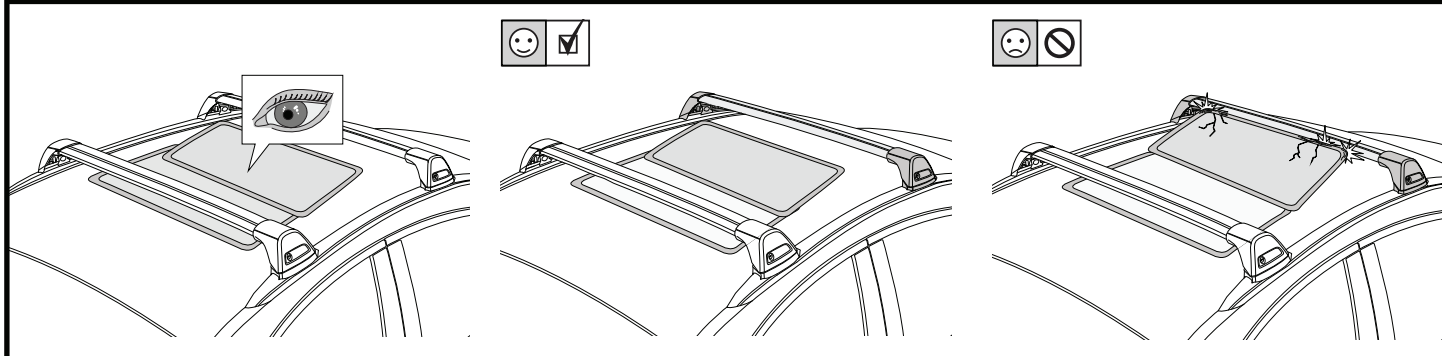
		<b>F</b>  <b>T</b>  <b>P</b> 	<b>HD</b> 
Subaru Forester, 5dr Estate 97-02	EU, ZA	60 kg (132 lb)	60 kg (132 lb)
Subaru Forester, 5dr Wagon Jul 97-Apr 02	NZ	60 kg (132 lb)	60 kg (132 lb)
Subaru Forester, 5dr Wagon Aug 97-Jun 02	AU	60 kg (132 lb)	60 kg (132 lb)
Subaru Forester, 5dr Estate 02-08	ZA	60 kg (132 lb)	60 kg (132 lb)
Subaru Forester, 5dr Wagon Feb 02-Feb 08	AU	60 kg (132 lb)	60 kg (132 lb)
Subaru Forester, 5dr Wagon May 02-Feb 08	NZ	60 kg (132 lb)	60 kg (132 lb)
Subaru Forester, 5dr Estate 03-08	EU	60 kg (132 lb)	60 kg (132 lb)
Subaru Forester, 5dr Wagon 04-07	CN	60 kg (132 lb)	60 kg (132 lb)
Subaru Lancaster, 5dr Wagon 00-03	NZ	60 kg (132 lb)	60 kg (132 lb)
Subaru Legacy, 5dr Wagon 98-04	NZ	75 kg (165 lb)	75 kg (165 lb)
Subaru Legacy, 5dr Wagon Sep 03-Aug 09	NZ	60 kg (132 lb)	60 kg (132 lb)
Subaru Legacy, 5dr Estate 04-09	EU	60 kg (132 lb)	60 kg (132 lb)
Subaru Legacy, 5dr Estate 06-06	CN	60 kg (132 lb)	60 kg (132 lb)
Subaru Liberty, 5dr Wagon Sep 03-Aug 09	AU	60 kg (132 lb)	60 kg (132 lb)
Subaru Outback, 5dr Estate 03-09	ZA	60 kg (132 lb)	60 kg (132 lb)
Subaru Outback, 5dr Wagon Sep 03-Aug 09	AU, NZ	60 kg (132 lb)	60 kg (132 lb)
Subaru Outback, 5dr Estate 04-09	EU, CN	60 kg (132 lb)	60 kg (132 lb)
Subaru Outback, 5dr Estate 09-Dec 14	ZA	60 kg (132 lb)	60 kg (132 lb)
Subaru Outback, 5dr Wagon Sep 09-Dec 14	AU, NZ	60 kg (132 lb)	60 kg (132 lb)
Subaru Outback, 5dr Estate 10-Dec 14	EU, CN	60 kg (132 lb)	60 kg (132 lb)
Subaru Outback, 5dr Estate 15+	EU	75 kg (165 lb)	75 kg (165 lb)
Subaru Outback, 5dr Estate 15-17	CN	75 kg (165 lb)	75 kg (165 lb)

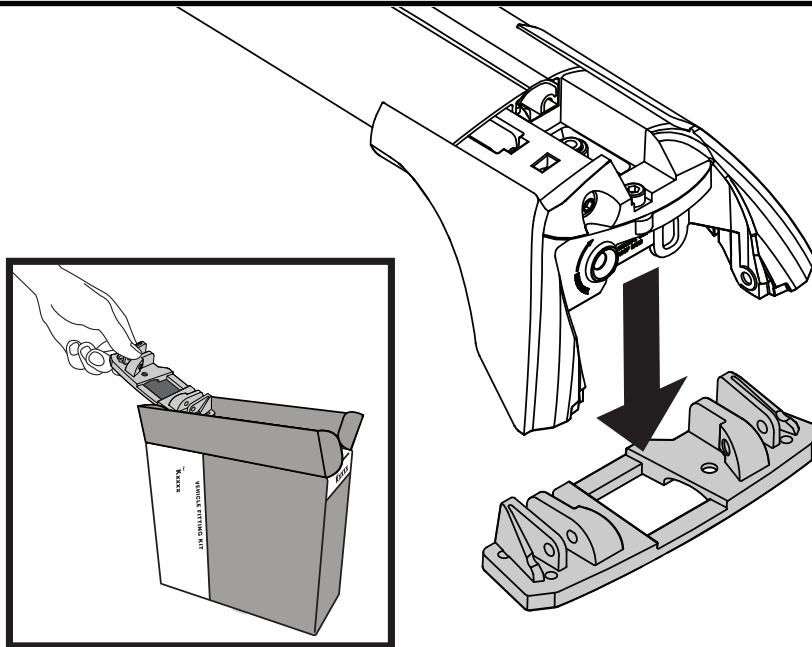
**CONTENTS • INHALT • CONTENIDO • CONTENU • INNHOLD • CONTEÚDO • СОДЕРЖАНИЕ • CONTENUTO  
ZAWARTOŚĆ • OBSAH • OBSAH • INHOUD • INNEHÅLL • INDHOLD • ЗМІСТ • SISÄLLYS**



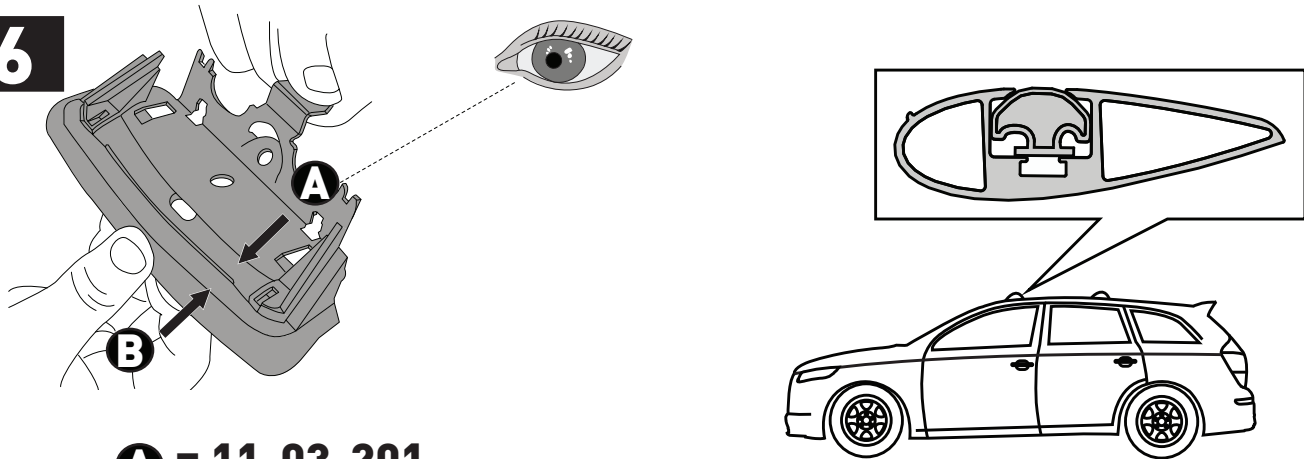
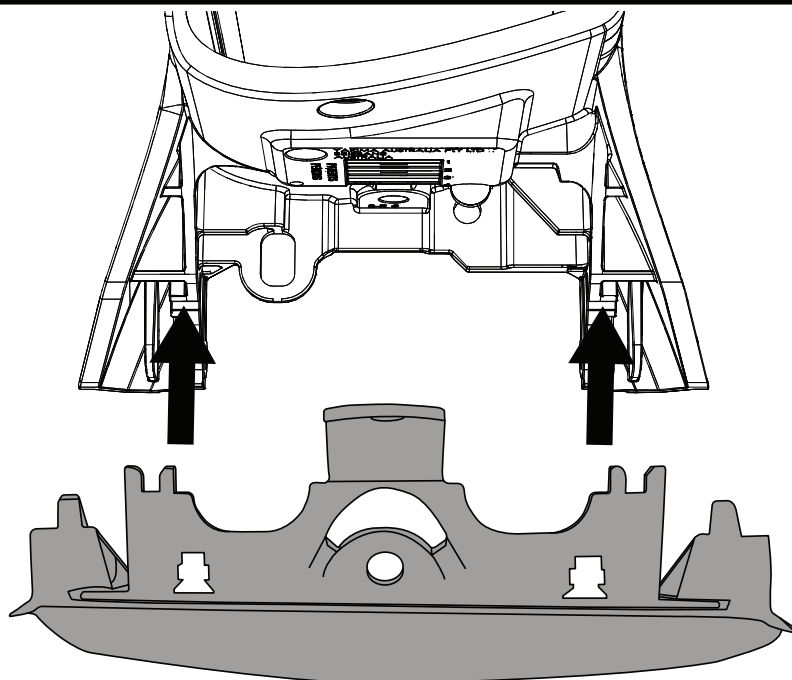
**ATTENTION • ACHTUNG • ATENCIÓN • ATTENTION • OPPMERKSOMHET • ATENÇÃO • ВНИМАНИЕ • ATTENZIONE  
UWAGA • UPOZORNĚNÍ • UPOZORNENIE • LET OP • UPPMÄRKSAMHET • OPMÆRKSOMHED • УВАГА • HUOMIO**





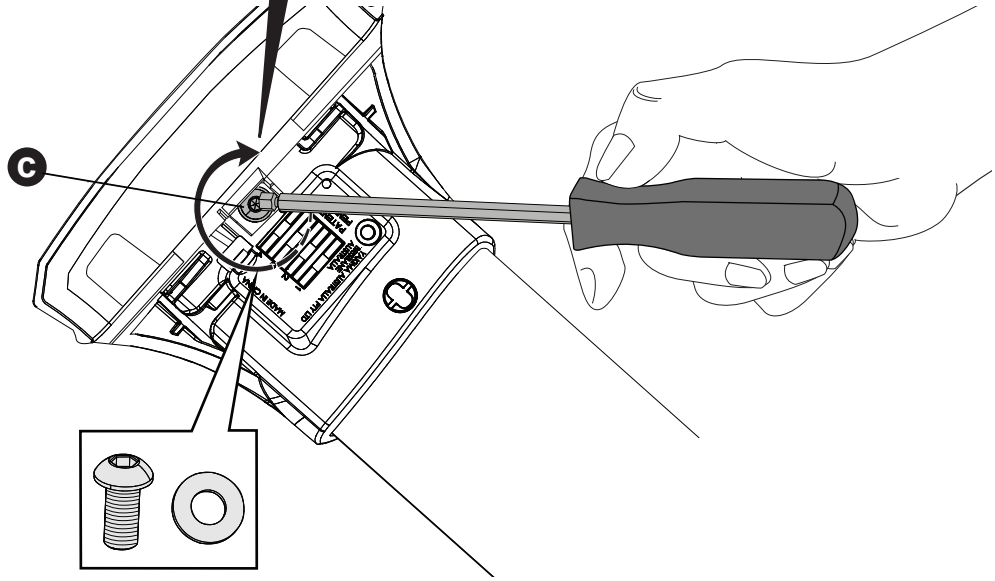
**5****x4**

PLACEMENT • PLATZIERUNG • COLOCACIÓN • MONTAGE • PLASSERING • COLOCAÇÃO • РАЗМЕЩЕНИЕ • MONTAGGIO  
 UMIESZCZENIE • UMÍSTĚNÍ • UMIESTNENIE • PLAATSING • PLACERING • PLACERING • РОЗМІЩЕННЯ • SIJOITTA

**6****A** = 11-03-201**B** = 11-04-202**x4****7****x4**

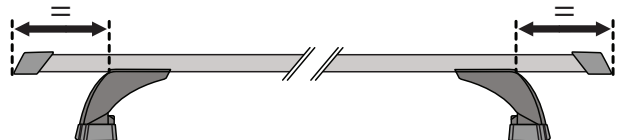
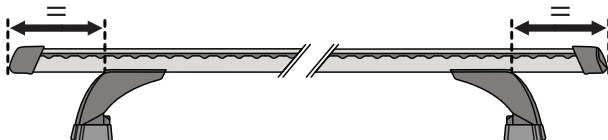
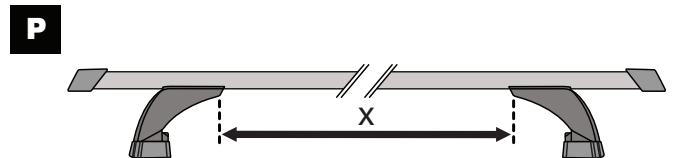
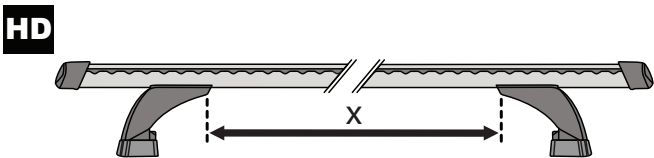
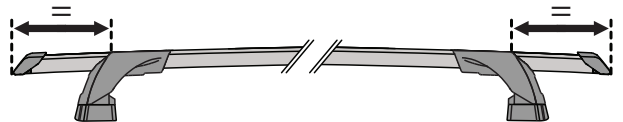
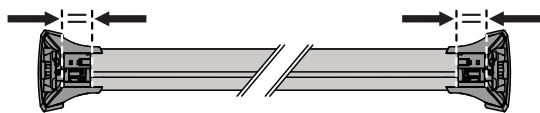
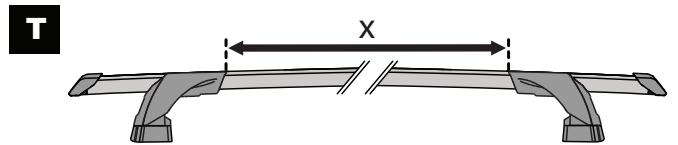
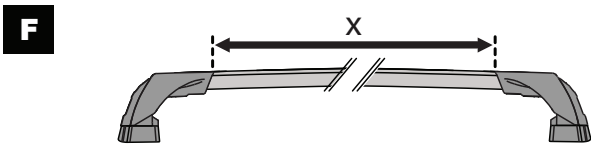
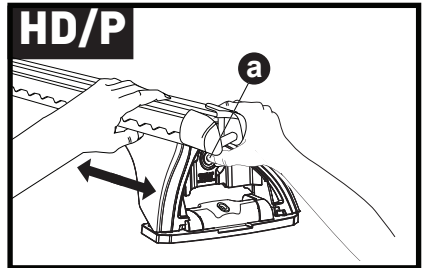
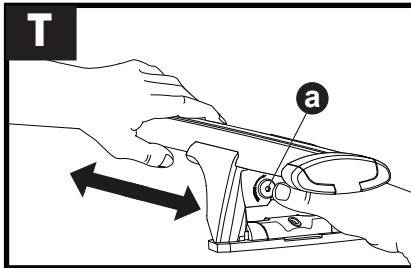
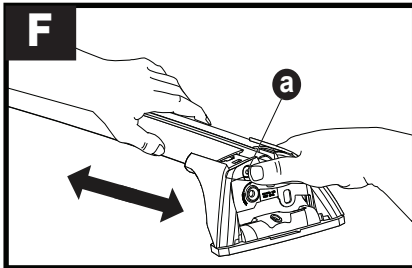
8

3 Nm  
(27 lb-in)



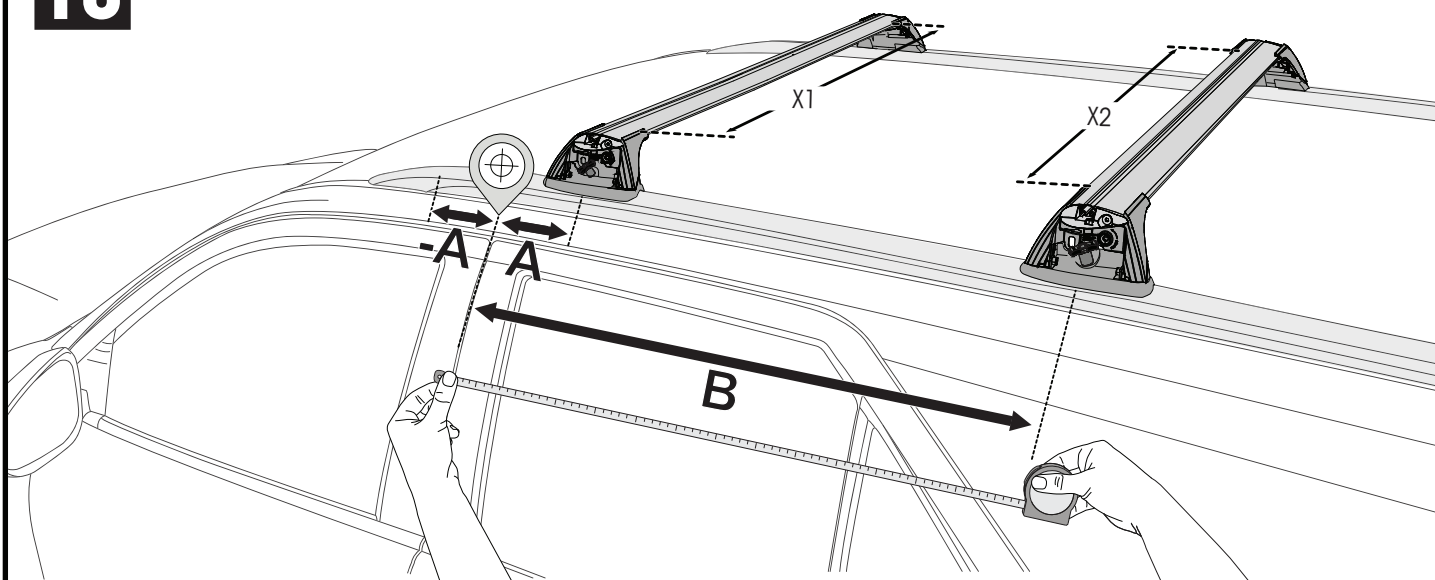
x4




9





# 10

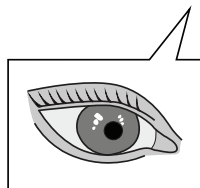


			X1	X2	A	B
<b>B</b>	Subaru Forester, 5dr Estate 97-02	EU, ZA	X = 782 mm (30 3/4")	X = 752 mm (29 5/8")	-	B = 600 mm (23 5/8")
<b>B</b>	Subaru Forester, 5dr Wagon Jul 97-Apr 02	NZ	X = 782 mm (30 3/4")	X = 752 mm (29 5/8")	-	B = 600 mm (23 5/8")
<b>B</b>	Subaru Forester, 5dr Wagon Aug 97-Jun 02	AU	X = 782 mm (30 3/4")	X = 752 mm (29 5/8")	-	B = 600 mm (23 5/8")
<b>B</b>	Subaru Forester, 5dr Estate 02-08	ZA	X = 790 mm (31 1/8")	X = 765 mm (30 1/8")	-	B = 600 mm (23 5/8")
<b>B</b>	Subaru Forester, 5dr Wagon Feb 02-Feb 08	AU	X = 790 mm (31 1/8")	X = 765 mm (30 1/8")	-	B = 600 mm (23 5/8")
<b>B</b>	Subaru Forester, 5dr Wagon May 02-Feb 08	NZ	X = 790 mm (31 1/8")	X = 765 mm (30 1/8")	-	B = 600 mm (23 5/8")
<b>B</b>	Subaru Forester, 5dr Estate 03-08	EU	X = 790 mm (31 1/8")	X = 765 mm (30 1/8")	-	B = 600 mm (23 5/8")
<b>B</b>	Subaru Forester, 5dr Wagon 04-07	CN	X = 790 mm (31 1/8")	X = 765 mm (30 1/8")	-	B = 600 mm (23 5/8")
<b>B</b>	Subaru Lancaster, 5dr Wagon 00-03	NZ	-	-	-	-
<b>B</b>	Subaru Legacy, 5dr Wagon 98-04	NZ	-	-	-	-
<b>A</b>	Subaru Legacy, 5dr Wagon Sep 03-Aug 09	NZ	X = 745 mm (29 3/8")	X = 685 mm (37")	A = 170 mm (6 2/3")	B = 900 mm (35 3/8")
<b>B</b>	Subaru Legacy, 5dr Estate 04-09	EU	X = 745 mm (29 3/8")	X = 685 mm (37")	A = 170 mm (6 2/3")	B = 900 mm (35 3/8")
<b>B</b>	Subaru Legacy, 5dr Estate 06-06	CN	X = 745 mm (29 3/8")	X = 685 mm (37")	A = 170 mm (6 2/3")	B = 900 mm (35 3/8")
<b>A</b>	Subaru Liberty, 5dr Wagon Sep 03-Aug 09	AU	X = 745 mm (29 3/8")	X = 685 mm (37")	A = 170 mm (6 2/3")	B = 900 mm (35 3/8")
<b>B</b>	Subaru Outback, 5dr Estate 03-09	ZA	X = 718 mm (28 1/4")	X = 670 mm (26 3/8")	A = 180 mm (6 2/3")	B = 960 mm (37 3/4")
<b>B</b>	Subaru Outback, 5dr Wagon Sep 03-Aug 09	AU, NZ	X = 718 mm (28 1/4")	X = 670 mm (26 3/8")	A = 180 mm (6 2/3")	B = 960 mm (37 3/4")
<b>B</b>	Subaru Outback, 5dr Estate 04-09	EU, CN	X = 718 mm (28 1/4")	X = 670 mm (26 3/8")	A = 180 mm (6 2/3")	B = 960 mm (37 3/4")
<b>B</b>	Subaru Outback, 5dr Estate 09-Dec 14	ZA	X = 860 mm (33 7/8")	X = 840 mm (33 1/8")	A = 130 mm (5 1/8")	B = 830 mm (32 5/8")
<b>B</b>	Subaru Outback, 5dr Wagon Sep 09-Dec 14	AU, NZ	X = 860 mm (33 7/8")	X = 840 mm (33 1/8")	A = 130 mm (5 1/8")	B = 830 mm (32 5/8")
<b>B</b>	Subaru Outback, 5dr Estate 10-Dec 14	EU, CN	X = 860 mm (33 7/8")	X = 840 mm (33 1/8")	A = 130 mm (5 1/8")	B = 830 mm (32 5/8")
<b>B</b>	Subaru Outback, 5dr Estate 15+	EU	X = 835 mm (32 7/8")	X = 820 mm (32 1/4")	A = 5 mm (2/8")	B = 740 mm (29 1/8")
<b>B</b>	Subaru Outback, 5dr Estate 15-17	CN	X = 835 mm (32 7/8")	X = 820 mm (32 1/4")	A = 5 mm (2/8")	B = 740 mm (29 1/8")

LEGACY/LIBERTY 03-09 ONLY • LEGACY/LIBERTY 03-09 NUR • LEGACY/LIBERTY 03-09 SOLAMENTE • LEGACY/  
 LIBERTY 03-09 SEULEMENT • LEGACY/LIBERTY 03-09 BARE • LEGACY/LIBERTY 03-09 SOMENTE • LEGACY/LIBERTY  
 03-09 ТОЛЬКО • SOLO LEGACY/LIBERTY 03-09 • LEGACY/LIBERTY 03-09 TYLKO • LEGACY/LIBERTY 03-09 POUZE  
 • LEGACY/LIBERTY 03-09 IBA • LEGACY/LIBERTY 03-09 ALLEEN • LEGACY/LIBERTY 03-09 BARA • KUN LEGACY/  
 LIBERTY 03-09 • LEGACY/LIBERTY 03-09 ТИЛЬКИ • VAIN LEGACY/LIBERTY 03-09

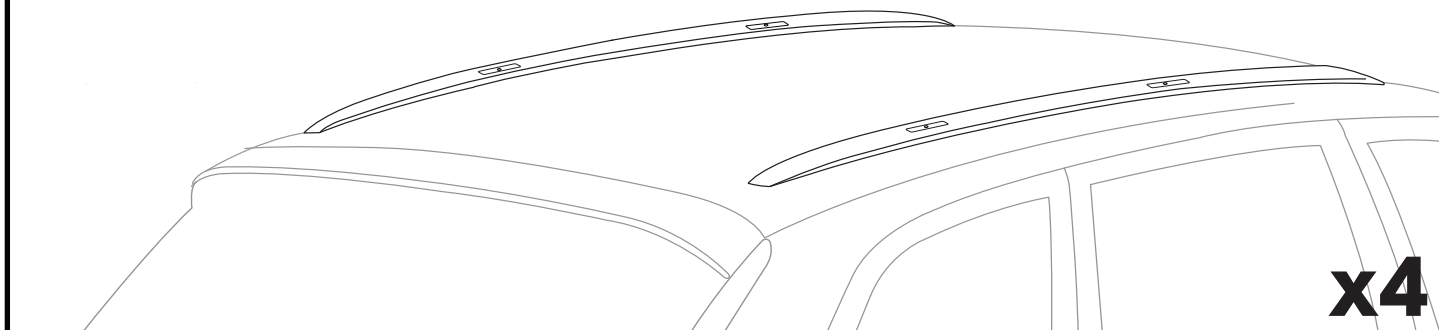
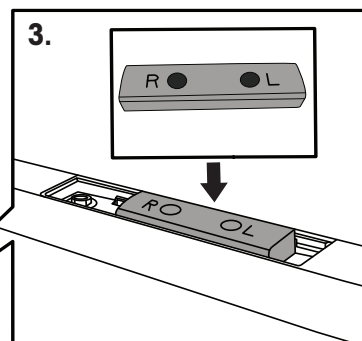
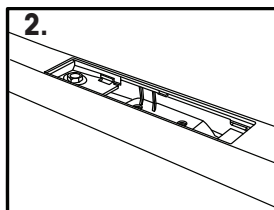
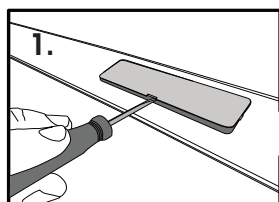
**A**

**A1**



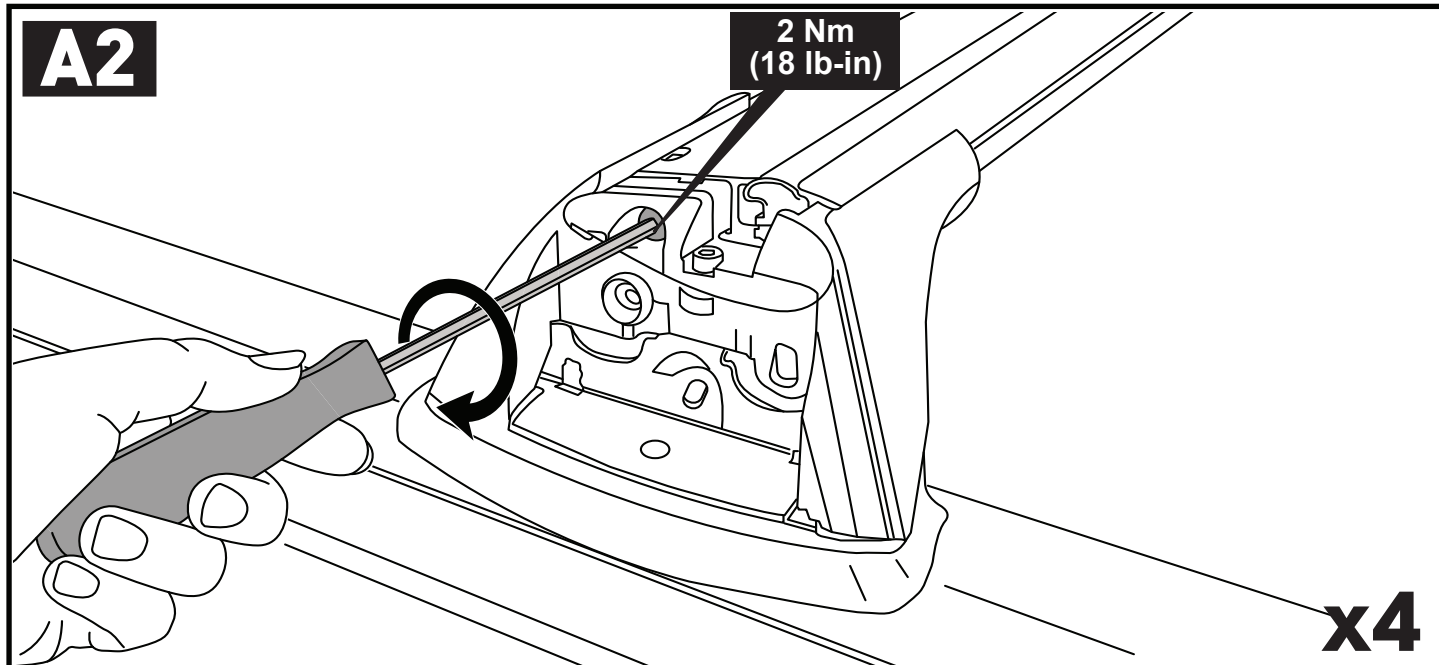
10

	A	B	C	D	E	F
1. Accessory	Roof rack	Roof rack	Roof rack	Roof rack	Roof rack	Roof rack
2. Part number	4800000000	4800000000	4800000000	4800000000	4800000000	4800000000
3. Description	Roof rack	Roof rack	Roof rack	Roof rack	Roof rack	Roof rack
4. Part name	Roof rack	Roof rack	Roof rack	Roof rack	Roof rack	Roof rack
5. Part number	4800000000	4800000000	4800000000	4800000000	4800000000	4800000000
6. Description	Roof rack	Roof rack	Roof rack	Roof rack	Roof rack	Roof rack
7. Part name	Roof rack	Roof rack	Roof rack	Roof rack	Roof rack	Roof rack
8. Part number	4800000000	4800000000	4800000000	4800000000	4800000000	4800000000
9. Description	Roof rack	Roof rack	Roof rack	Roof rack	Roof rack	Roof rack
10. Part name	Roof rack	Roof rack	Roof rack	Roof rack	Roof rack	Roof rack
11. Part number	4800000000	4800000000	4800000000	4800000000	4800000000	4800000000
12. Description	Roof rack	Roof rack	Roof rack	Roof rack	Roof rack	Roof rack
13. Part name	Roof rack	Roof rack	Roof rack	Roof rack	Roof rack	Roof rack
14. Part number	4800000000	4800000000	4800000000	4800000000	4800000000	4800000000
15. Description	Roof rack	Roof rack	Roof rack	Roof rack	Roof rack	Roof rack
16. Part name	Roof rack	Roof rack	Roof rack	Roof rack	Roof rack	Roof rack
17. Part number	4800000000	4800000000	4800000000	4800000000	4800000000	4800000000
18. Description	Roof rack	Roof rack	Roof rack	Roof rack	Roof rack	Roof rack
19. Part name	Roof rack	Roof rack	Roof rack	Roof rack	Roof rack	Roof rack
20. Part number	4800000000	4800000000	4800000000	4800000000	4800000000	4800000000
21. Description	Roof rack	Roof rack	Roof rack	Roof rack	Roof rack	Roof rack
22. Part name	Roof rack	Roof rack	Roof rack	Roof rack	Roof rack	Roof rack
23. Part number	4800000000	4800000000	4800000000	4800000000	4800000000	4800000000
24. Description	Roof rack	Roof rack	Roof rack	Roof rack	Roof rack	Roof rack
25. Part name	Roof rack	Roof rack	Roof rack	Roof rack	Roof rack	Roof rack
26. Part number	4800000000	4800000000	4800000000	4800000000	4800000000	4800000000
27. Description	Roof rack	Roof rack	Roof rack	Roof rack	Roof rack	Roof rack
28. Part name	Roof rack	Roof rack	Roof rack	Roof rack	Roof rack	Roof rack
29. Part number	4800000000	4800000000	4800000000	4800000000	4800000000	4800000000
30. Description	Roof rack	Roof rack	Roof rack	Roof rack	Roof rack	Roof rack
31. Part name	Roof rack	Roof rack	Roof rack	Roof rack	Roof rack	Roof rack
32. Part number	4800000000	4800000000	4800000000	4800000000	4800000000	4800000000
33. Description	Roof rack	Roof rack	Roof rack	Roof rack	Roof rack	Roof rack
34. Part name	Roof rack	Roof rack	Roof rack	Roof rack	Roof rack	Roof rack
35. Part number	4800000000	4800000000	4800000000	4800000000	4800000000	4800000000
36. Description	Roof rack	Roof rack	Roof rack	Roof rack	Roof rack	Roof rack
37. Part name	Roof rack	Roof rack	Roof rack	Roof rack	Roof rack	Roof rack
38. Part number	4800000000	4800000000	4800000000	4800000000	4800000000	4800000000
39. Description	Roof rack	Roof rack	Roof rack	Roof rack	Roof rack	Roof rack
40. Part name	Roof rack	Roof rack	Roof rack	Roof rack	Roof rack	Roof rack
41. Part number	4800000000	4800000000	4800000000	4800000000	4800000000	4800000000
42. Description	Roof rack	Roof rack	Roof rack	Roof rack	Roof rack	Roof rack
43. Part name	Roof rack	Roof rack	Roof rack	Roof rack	Roof rack	Roof rack
44. Part number	4800000000	4800000000	4800000000	4800000000	4800000000	4800000000
45. Description	Roof rack	Roof rack	Roof rack	Roof rack	Roof rack	Roof rack
46. Part name	Roof rack	Roof rack	Roof rack	Roof rack	Roof rack	Roof rack
47. Part number	4800000000	4800000000	4800000000	4800000000	4800000000	4800000000
48. Description	Roof rack	Roof rack	Roof rack	Roof rack	Roof rack	Roof rack
49. Part name	Roof rack	Roof rack	Roof rack	Roof rack	Roof rack	Roof rack
50. Part number	4800000000	4800000000	4800000000	4800000000	4800000000	4800000000



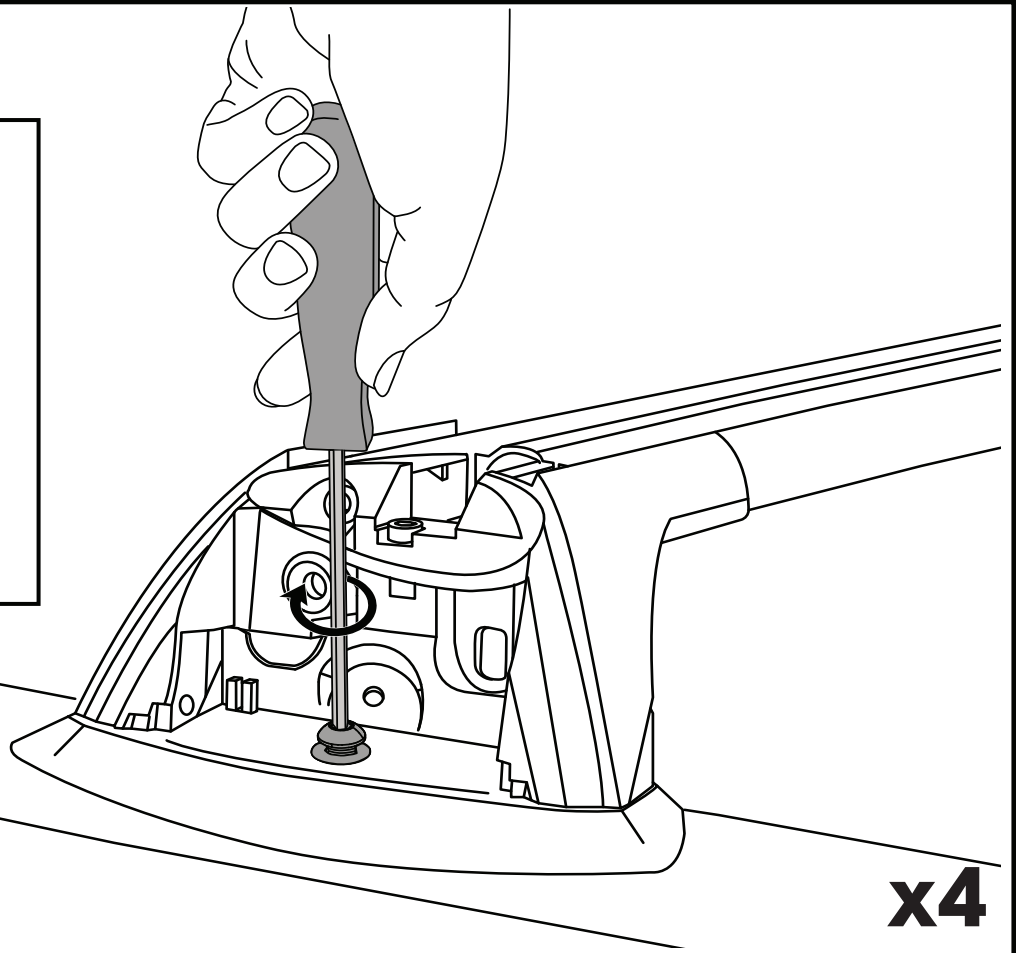
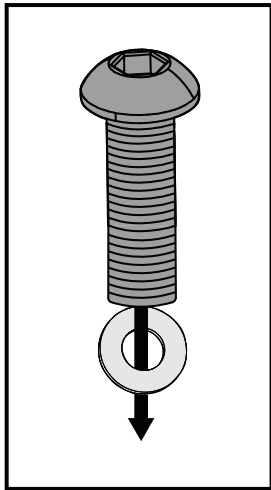
**A2**

2 Nm  
(18 lb-in)





**A3**

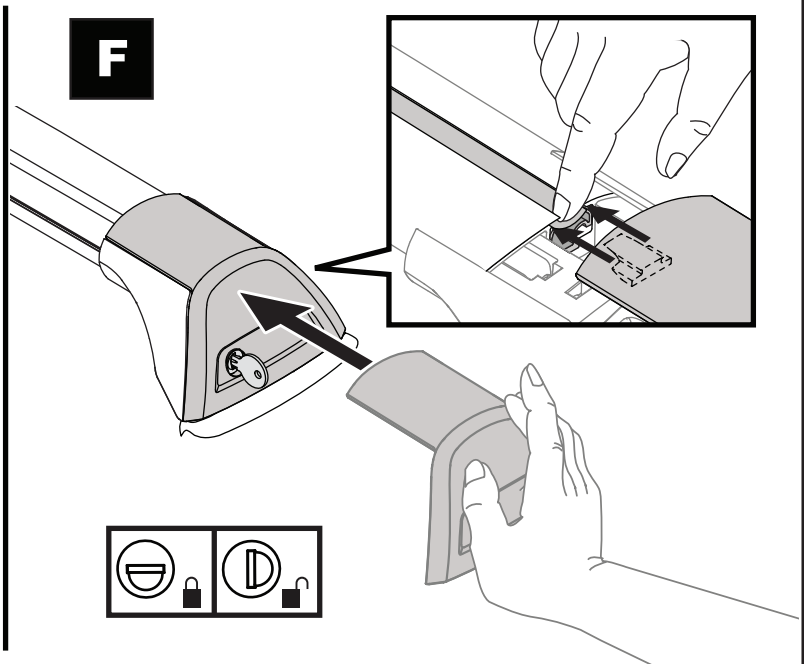
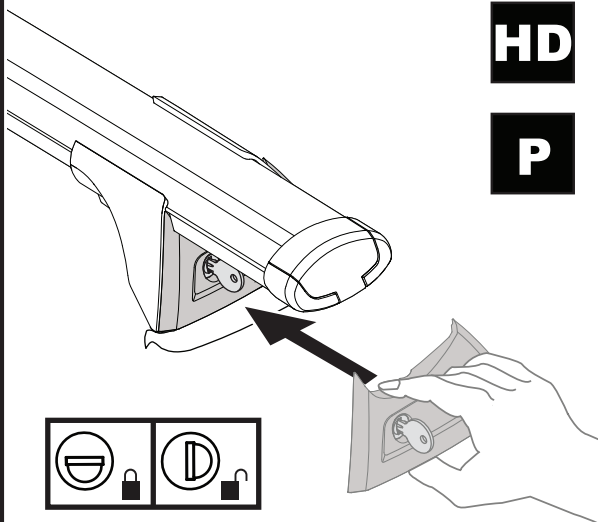


**x4**

**A4**

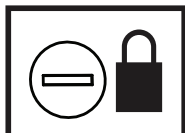
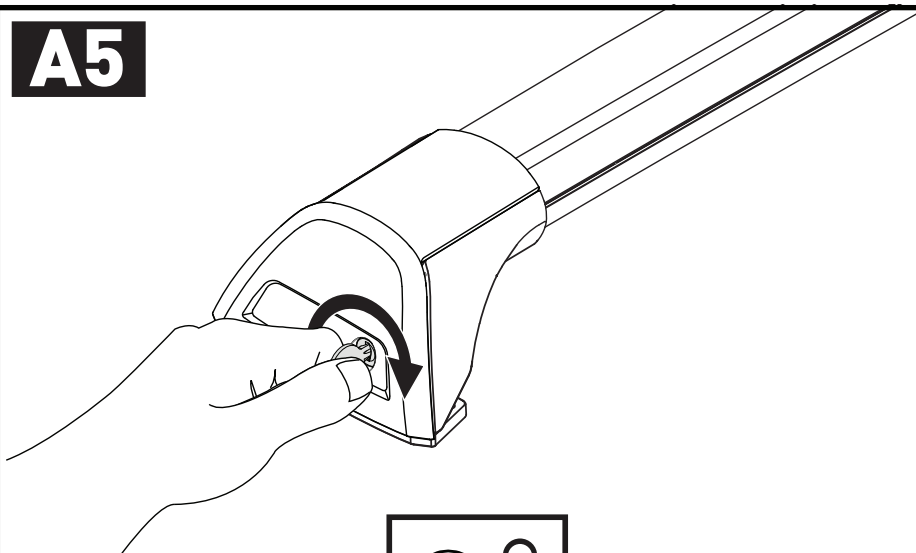
**T**  
**HD**  
**P**

**F**



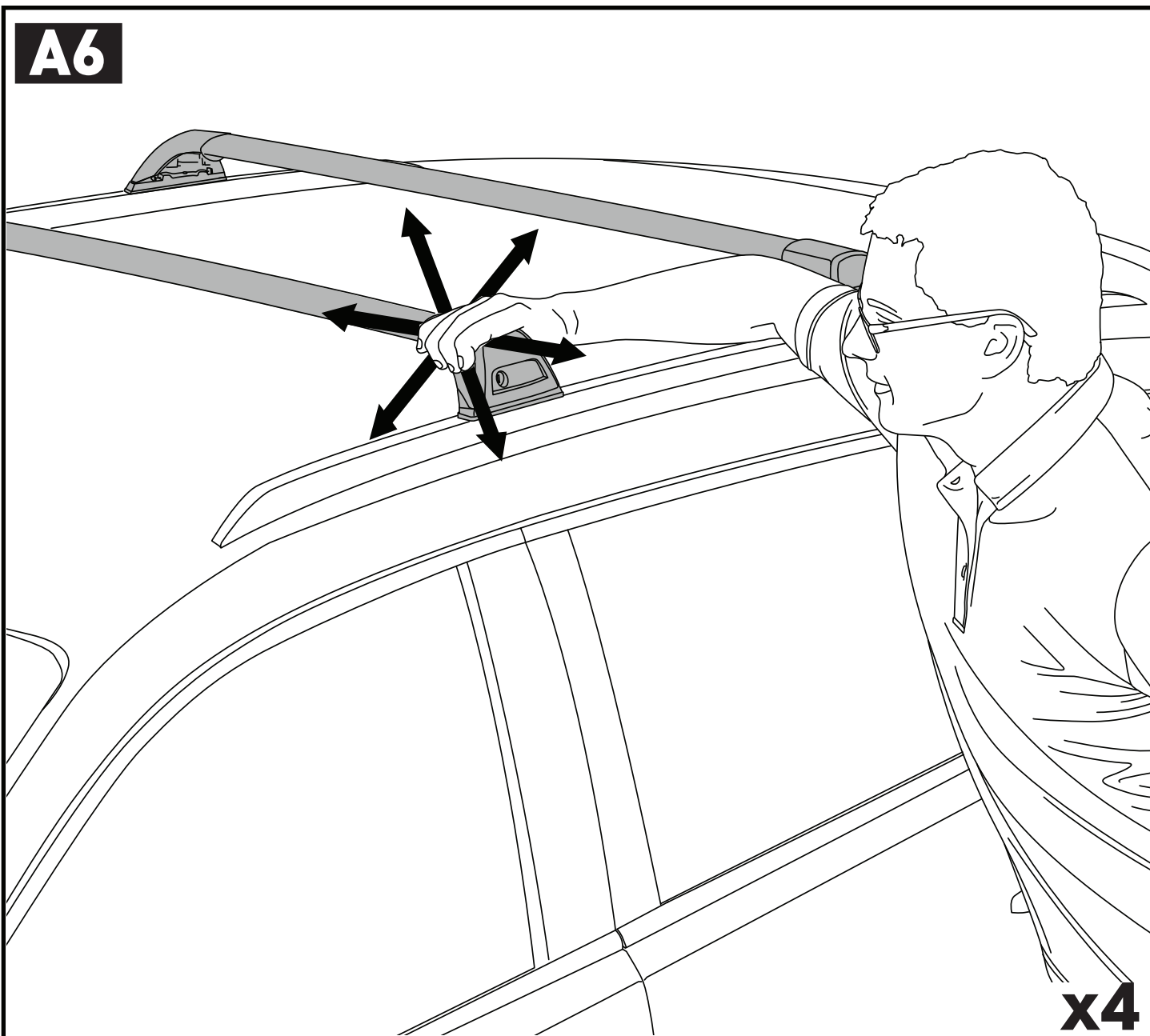
**x4**

**A5**



**x4**

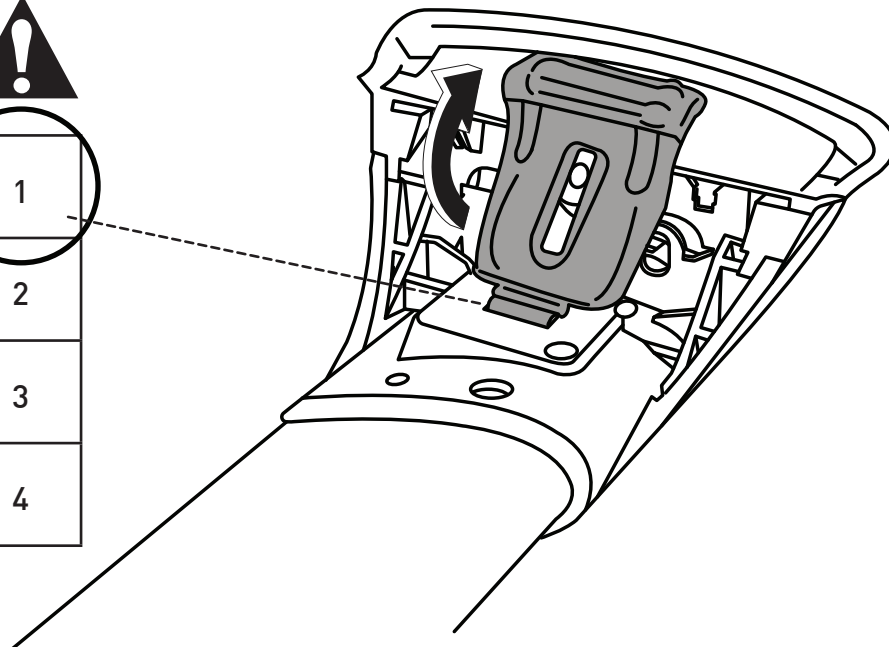
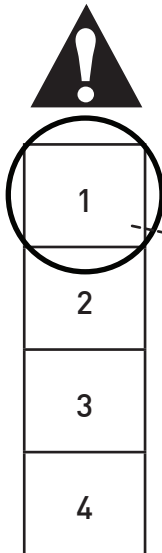
**A6**



**x4**

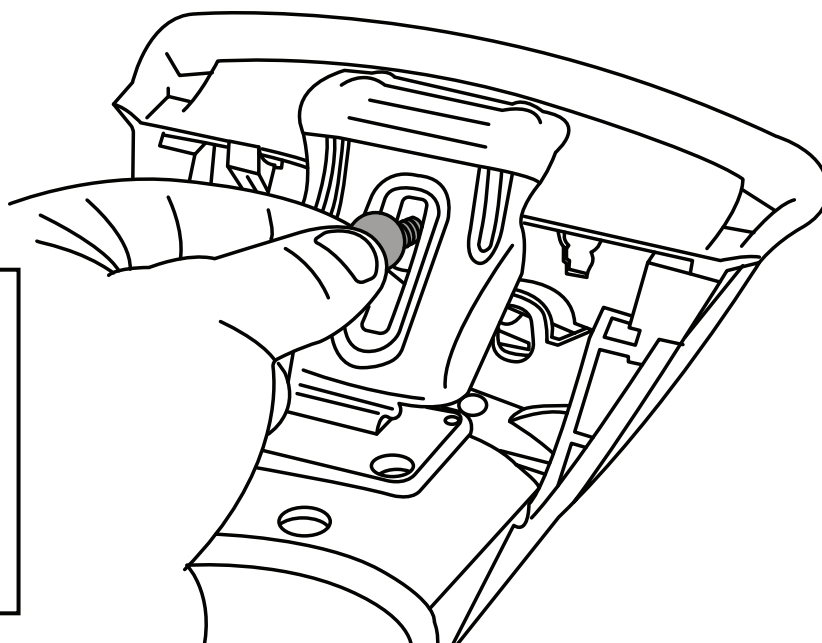
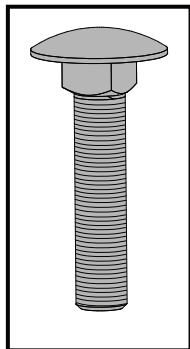


**B4**



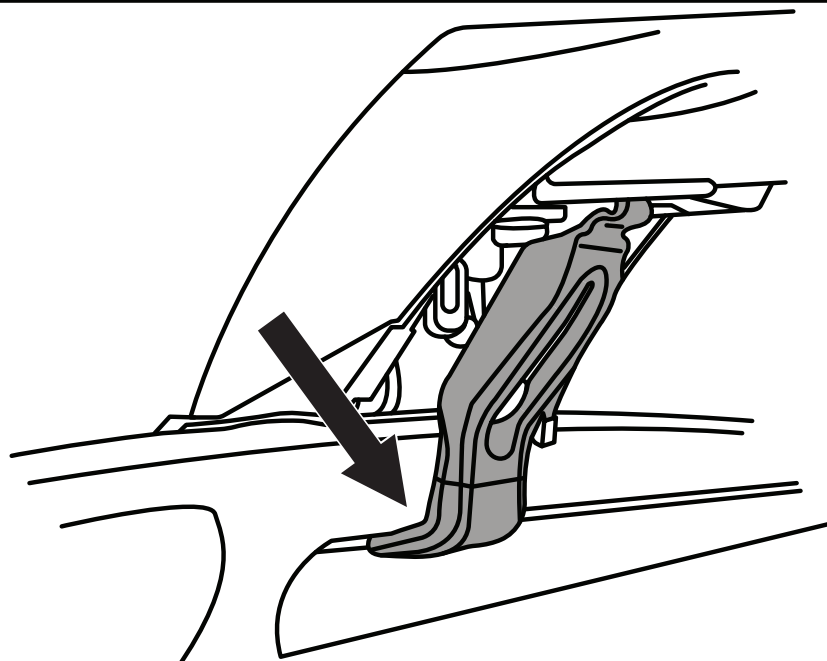
**x4**

**B5**

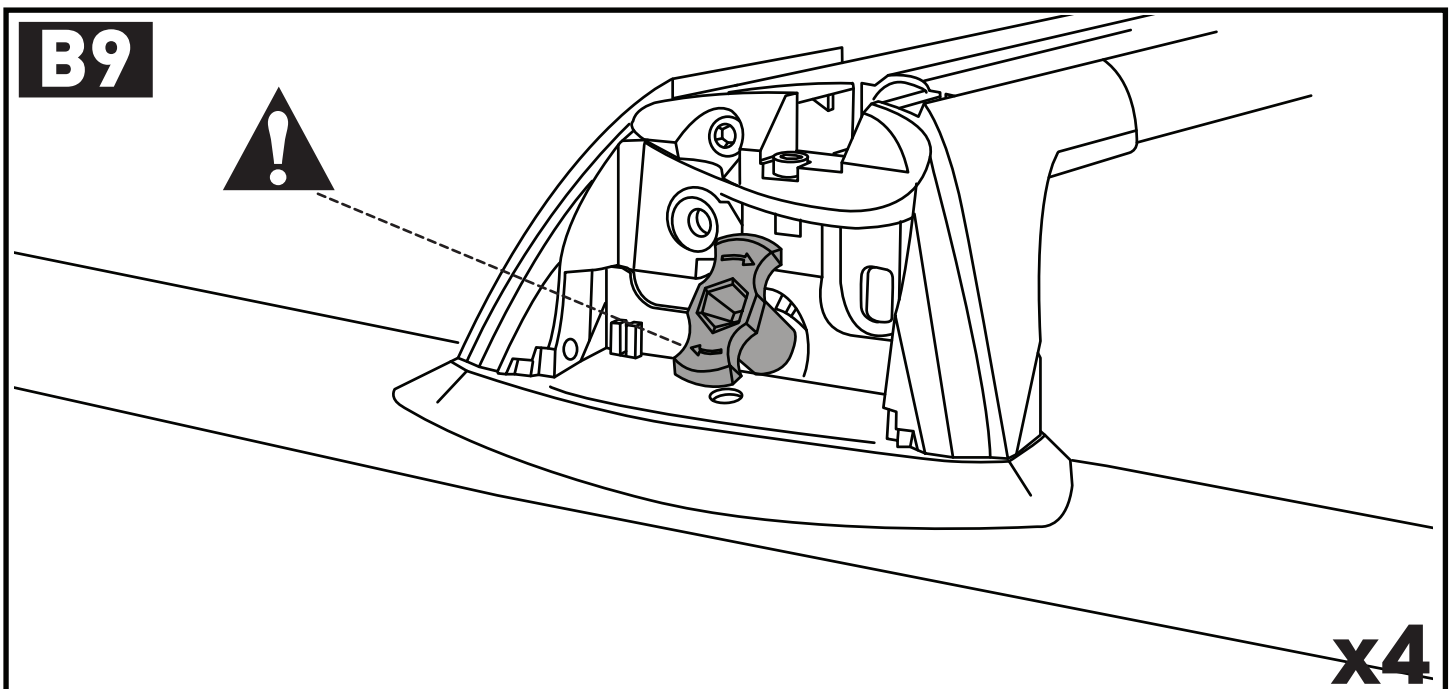
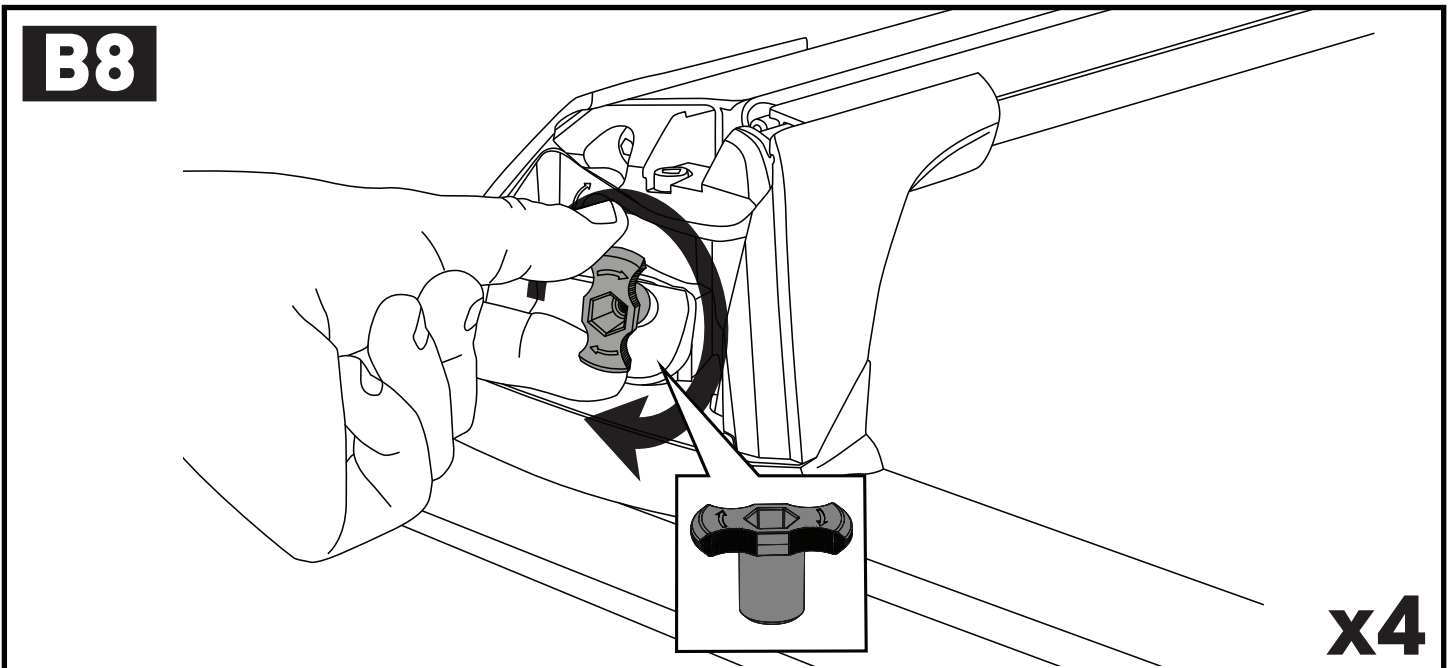
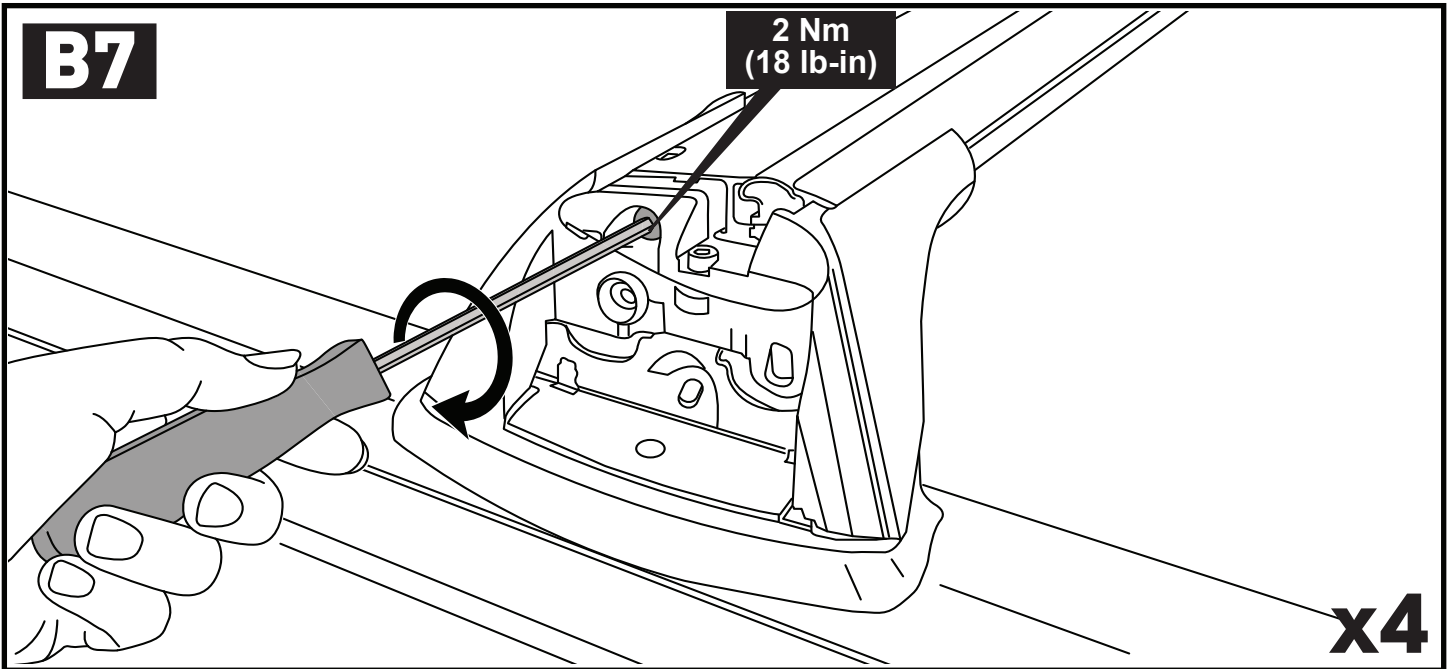


**x4**

**B6**

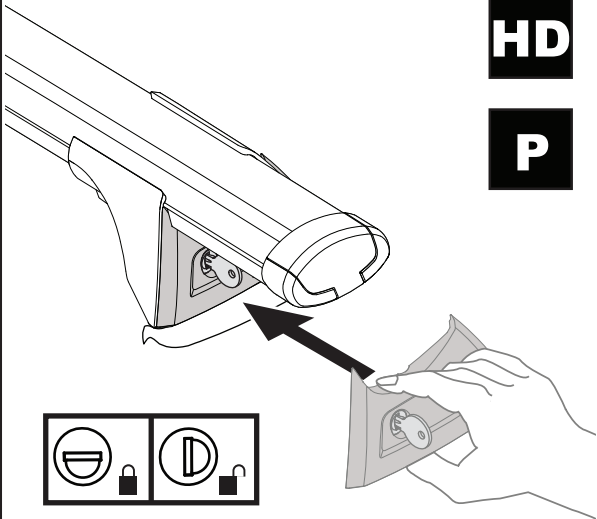


**x4**

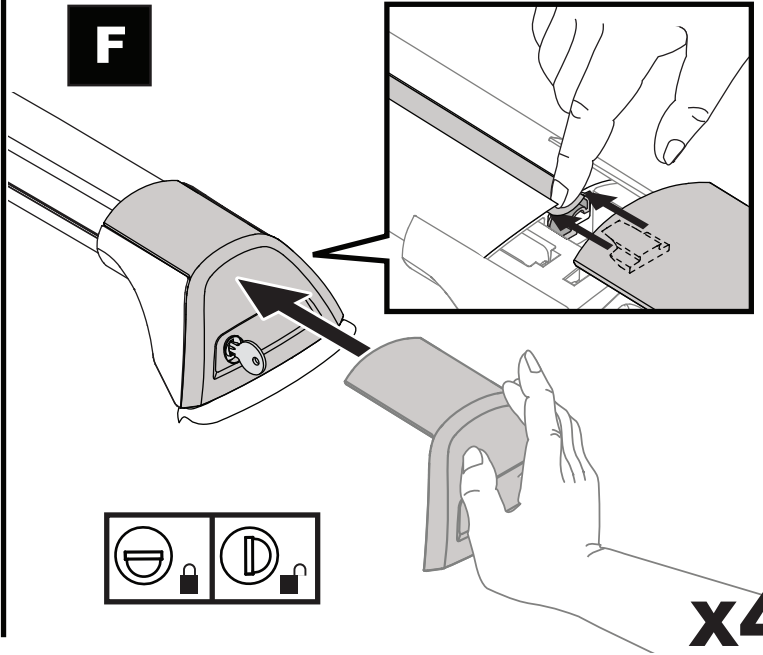


**B10**

**T**  
**HD**  
**P**

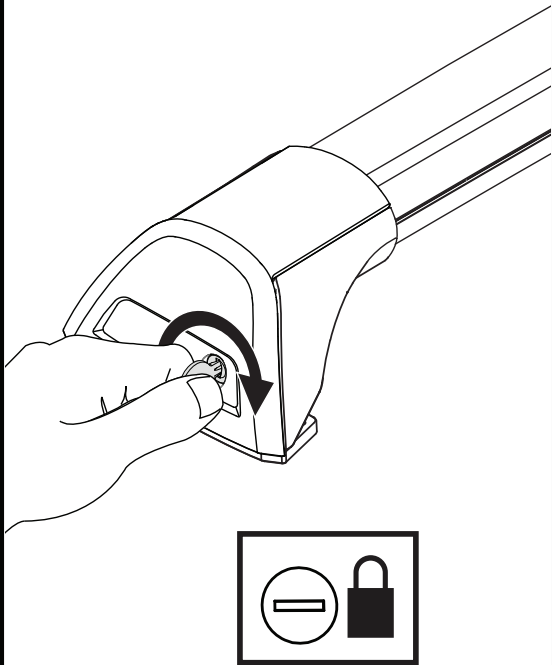


**F**



**x4**

**B11**



**x4**

**B12**

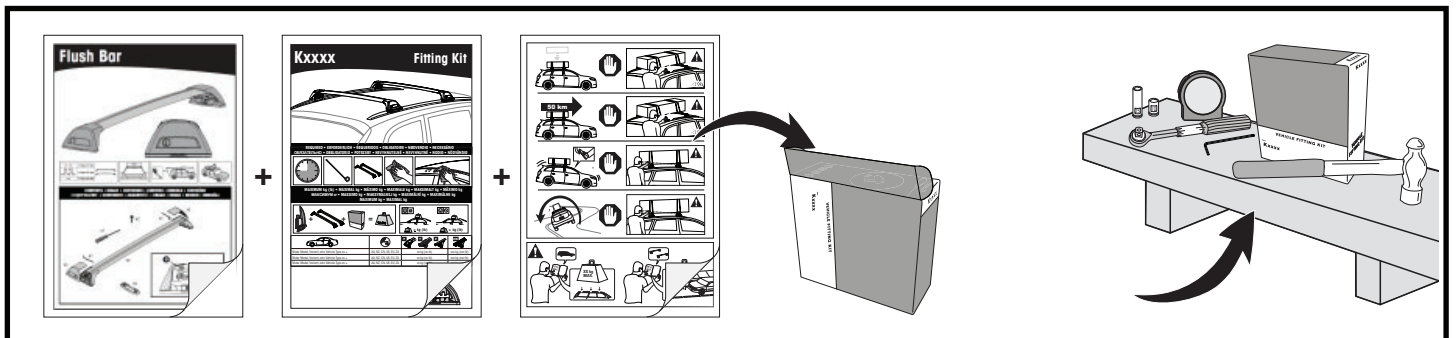
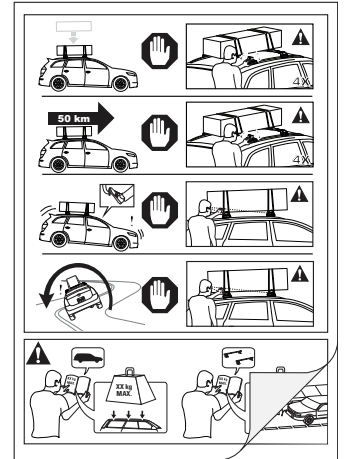


**x4**



**ATTENTION • ACHTUNG • ATENCIÓN • ATTENTION • OPPMERKSOMHET • ATENÇÃO • ВНИМАНИЕ • ATTENZIONE  
 UWAGA • UPOZORNĚNÍ • UPOZORNENIE • LET OP • UPPMÄRKSAMHET • ОПМÆRКСОМНED • УБАГА • HUOMIO**

- EN** Please read safety and warranty booklet included with this product prior to use. For more information visit your local dealer.
- DE** Bitte lesen und beachten Sie die beiliegende Montageanleitung, Sicherheitshinweise und Garantiebedingungen bevor Sie das Produkt montieren/benutzen. Für weitere Informationen kontaktieren Sie bitte Ihren Händler.
- ES** Por favor, lea folleto de seguridad y garantía que se incluye con este producto antes de su uso . Para obtener más información, visite a su distribuidor local.
- FR** Veuillez lire attentivement le manuel de sécurité et de garantie avant utilisation. Pour plus d'informations, visitez votre concessionnaire local.
- NO** Vennligst les hefte om sikkerhet og garanti som er vedlagt dette produkt før det tas i bruk. For mer informasjon ta kontakt med din forhandler.
- PT** Por favor leia o manual de segurança e garantia incluído, antes de utilizar o produto. Para mais informações visite o seu revendedor local.
- RU** Пожалуйста, ознакомьтесь с инструкцией перед тем, как использовать товар. Для получения более подробной информации обратитесь к местному дилеру.
- IT** Si prega di leggere il libretto di sicurezza e garanzia incluso nel prodotto prima dell'uso. Per maggiori informazioni visita il rivenditore locale.
- PL** Proszę zapoznać się z warunkami gwarancji i bezpieczeństwa przed użyciem produktu. W celu uzyskania dodatkowych informacji proszę kontaktować się z najbliższym autoryzowanym punktem sprzedaży.
- CS** Před použitím si prosím přečtete přiložené informace o bezpečnosti a záručních podmínkách. Pro více informací navštivte nejbližšího dealera.
- SK** Pred použitím si prosím prečítajte priložené informácie o bezpečnosti a záručných podmienkach. Pre viac informácií navštívte najbližšieho diera.
- NL** A.U.B. bijgesloten garantie- en veiligheidsinstructies grondig lezen voor gebruik van dit product. Voor meer informatie graag contact opnemen met uw dealer.
- SV** Var snäll och läs igenom säkerhets- och garantihäftet som medföljer produkten före användning. För mer information besök din lokala återförsäljare.
- DK** Læs venligst sikkerheds- og garantibogsholderen, der følger med dette produkt, inden brug. For mere information besøg din lokale forhandler.
- UA** Будь ласка, ознайомтеся з бронею безпеки та гарантії, включені до цього продукту перед використанням. Для отримання додаткової інформації відвідайте місцевого дилера.
- FI** Lue tämän tuotteen mukana toimitetut turvallisuus- ja takuu huoltopalvelut ennen käyttöä. Lisätietoja saat paikalliselta jälleenmyyjältä.



Yakima Australia Pty Ltd  
 17 Hinkler Court, Brendale  
 QLD 4500, Australia  
 1800 143 548  
[www.prorack.com.au](http://www.prorack.com.au)  
[www.whispbar.com.au](http://www.whispbar.com.au)

Yakima Products, Inc.  
 4101 Kruse Way  
 Lake Oswego, OR. 97035 USA  
 888 925 4621  
[www.yakima.com](http://www.yakima.com)

WORKS WITH:  
**YAKIMA**  
 WHISPBAR  
**PRORACK**