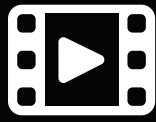


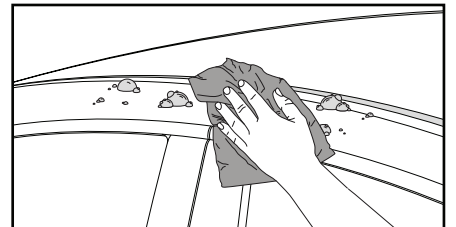
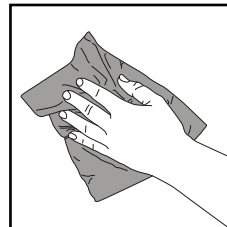
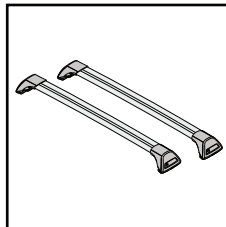
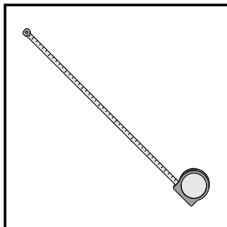
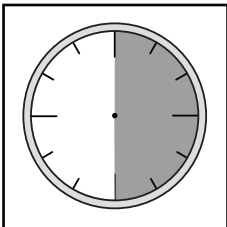
K331



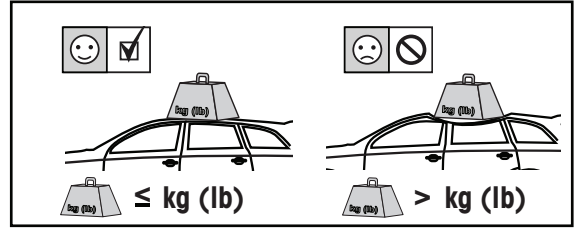
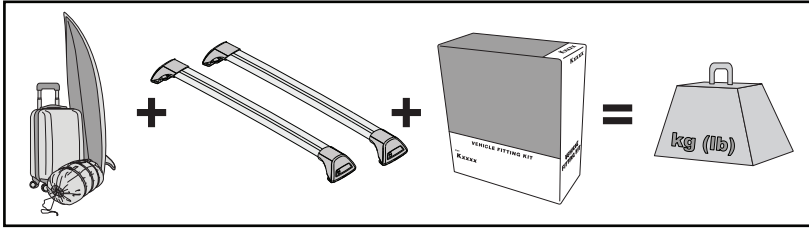
Fitting Kit









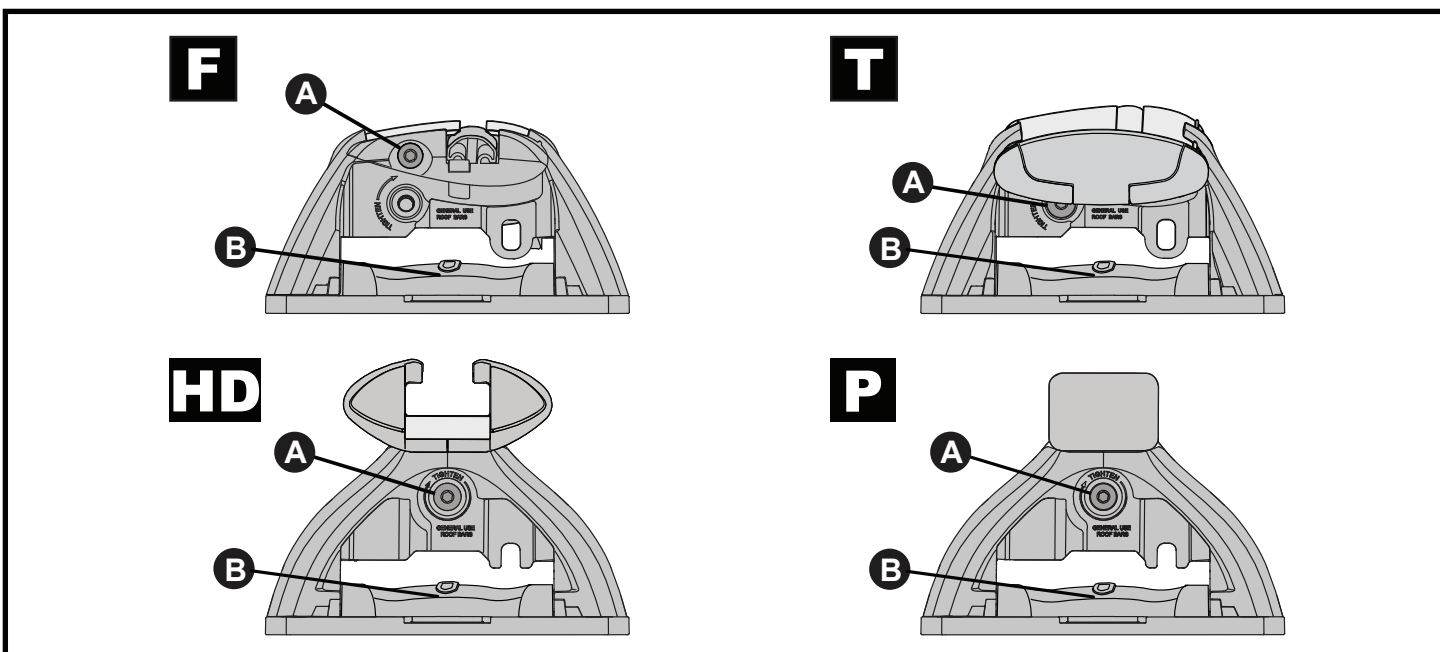
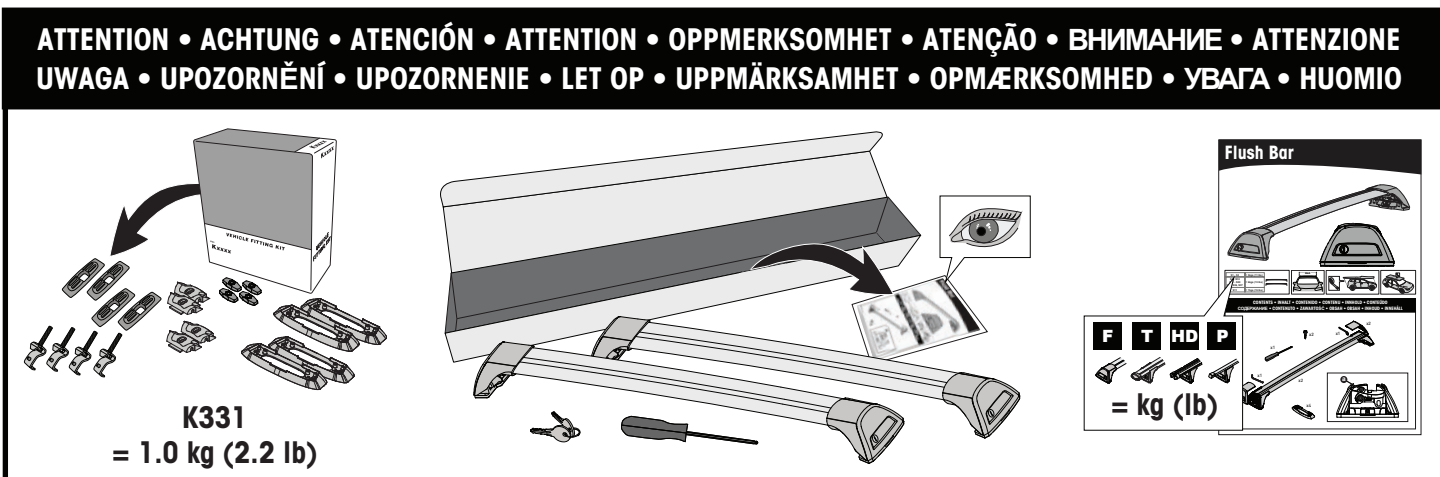
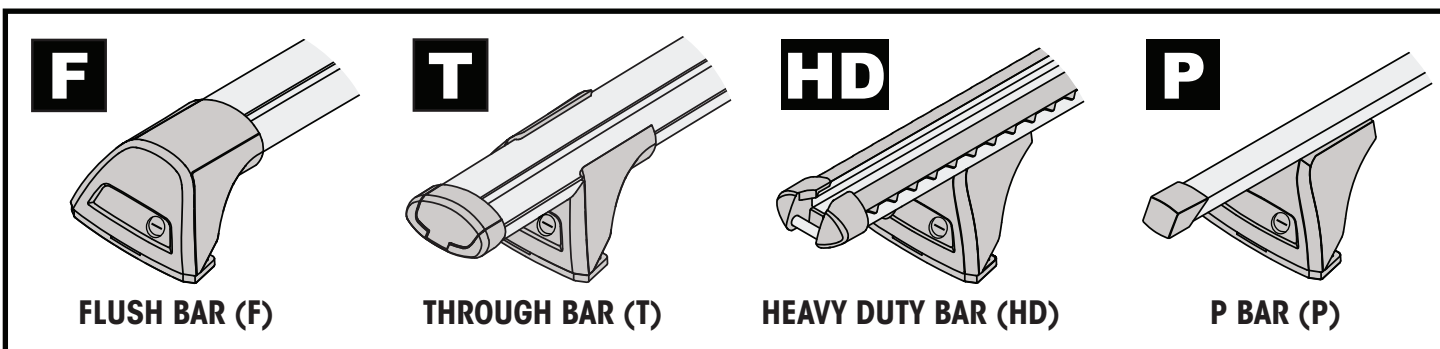
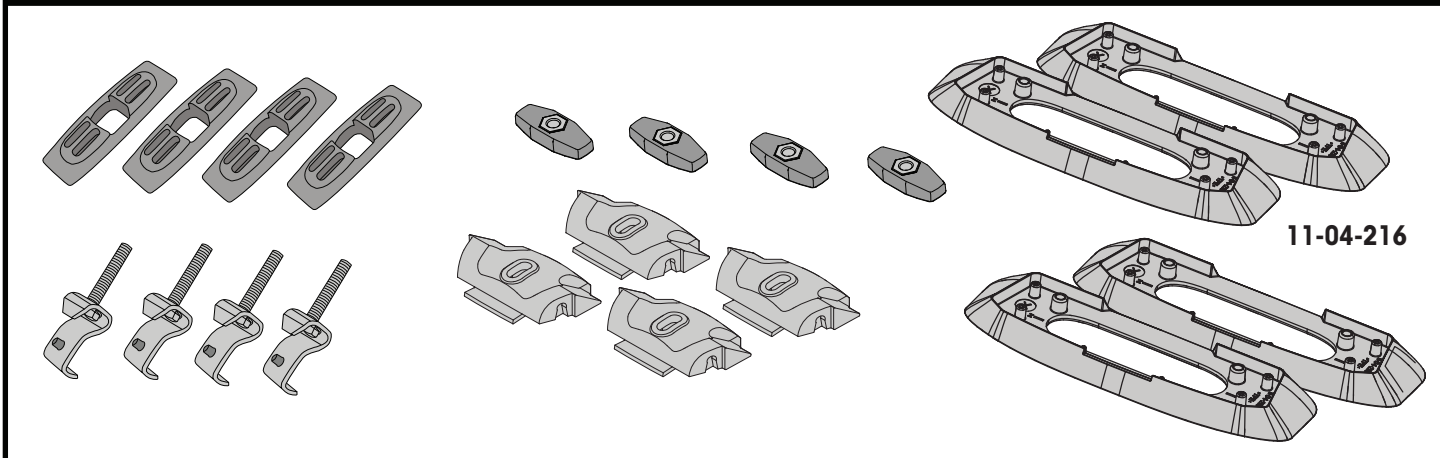
REQUIRED • ERFORDERLICH • REQUERIDOS • OBLIGATOIRE • NØDVENDIG • NECESSÁRIO • ОБЯЗАТЕЛЬНО • OBBLIGATORIO
POTRZEBY • NEVYHNUTELNÉ • NEVYHNUTNÉ • NODIG • NÖDVÄNDIG • PÅKRÆVET • ПОТРІБНА • EDELLYTETÄÄN

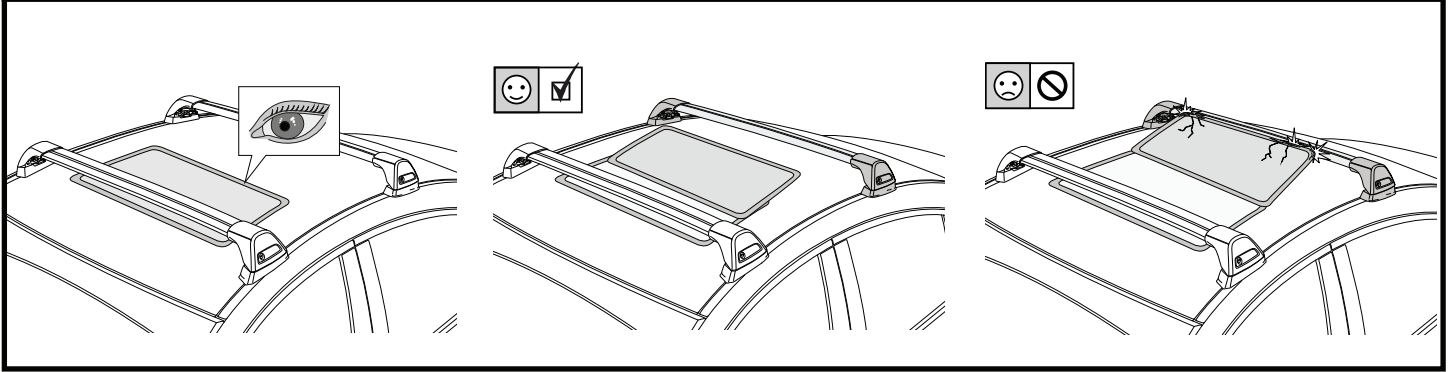


**MAXIMUM kg (lb) • MAXIMUM kg • MÁXIMO kg • MAXIMUM kg • MAKSIMALT kg • MÁXIMO kg
 МАКСИМУМ кг • MASSIMO kg • MAKSYMALNEJ kg • MAXIMÁLNÍ kg • MAXIMÁLNE kg
 MAXIMUM kg • MAXIMAL kg • MAKSIMAL kg • МАКСИМАЛЬНА kg • ENIMMÄISMÄÄRÄ kg**



		F  T  P 	HD 
Lexus LX, 5dr SUV Apr 98-Jul 07	AU	75 kg (165 lb)	75 kg (165 lb)
Lexus LX, 5dr SUV May 98-Oct 07	NZ	75 kg (165 lb)	75 kg (165 lb)
Suzuki SX4, 5dr Hatch 06-10	EU	40 kg (88 lb)	40 kg (88 lb)
Suzuki SX4, 5dr Hatch 06-13	ZA	40 kg (88 lb)	40 kg (88 lb)
Suzuki SX4, 5dr Hatch Mar 07-13	AU, NZ	40 kg (88 lb)	40 kg (88 lb)
Toyota Land Cruiser 100 Series, 5dr SUV 98-07	EU, ZA	75 kg (165 lb)	100 kg (220 lb)
Toyota Land Cruiser 100 Series, 5dr SUV Apr 98-Jun 07	AU	75 kg (165 lb)	100 kg (220 lb)
Toyota Land Cruiser 100 Series, 5dr SUV Apr 98-Oct 07	NZ	75 kg (165 lb)	100 kg (220 lb)
Toyota Land Cruiser 120 Series Prado, 5dr SUV Mar 03-Oct 09	AU	75 kg (165 lb)	100 kg (220 lb)
Toyota Land Cruiser 120 Series, 5dr SUV 03-09	EU	75 kg (165 lb)	100 kg (220 lb)
Toyota Land Cruiser 120 Series Prado, 5dr SUV Mar 03-Nov 09	NZ	75 kg (165 lb)	100 kg (220 lb)
Toyota Land Cruiser 150 Series Prado, 5dr SUV Nov 09+	AU	75 kg (165 lb)	100 kg (220 lb)
Toyota Land Cruiser 150 Series Prado, 5dr SUV Dec 09+	NZ	75 kg (165 lb)	100 kg (220 lb)
Toyota Land Cruiser 200 Series, 5dr SUV 07-15	CN	75 kg (165 lb)	100 kg (220 lb)
Toyota Land Cruiser 200 Series, 5dr SUV Aug 07-Sep 15	AU	75 kg (165 lb)	100 kg (220 lb)
Toyota Land Cruiser 200 Series, 5dr SUV Nov 07-Sep 15	NZ	75 kg (165 lb)	100 kg (220 lb)
Toyota Land Cruiser 200 Series V8, 5dr SUV 07-12	EU	75 kg (165 lb)	100 kg (220 lb)
Toyota Land Cruiser 200 Series, 5dr SUV 15+	ZA	75 kg (165 lb)	100 kg (220 lb)
Toyota Land Cruiser 200 Series, 5dr SUV Oct 15+	AU, NZ	75 kg (165 lb)	100 kg (220 lb)
Toyota Land Cruiser 200 Series, 5dr SUV 15-16	CN	75 kg (165 lb)	100 kg (220 lb)
Toyota Rav 4, 3dr SUV 94-99	ZA	75 kg (165 lb)	75 kg (165 lb)
Toyota Rav 4, 3dr SUV 94-00	EU	75 kg (165 lb)	75 kg (165 lb)
Toyota Rav 4, 3dr SUV Jun 94-May 00	AU, NZ	75 kg (165 lb)	75 kg (165 lb)
Toyota Rav 4, 3dr SUV 00-05	ZA	75 kg (165 lb)	80 kg (176 lb)
Toyota Rav 4, 3dr SUV 00-06	EU	75 kg (165 lb)	80 kg (176 lb)
Toyota Rav 4, 3dr SUV Jun 00-Jan 06	NZ	75 kg (165 lb)	80 kg (176 lb)
Toyota Rav 4 20 Series, 3dr SUV Jun 00-Jan 06	AU	75 kg (165 lb)	80 kg (176 lb)
Toyota Rav 4, 5dr SUV 94-99	ZA	75 kg (165 lb)	75 kg (165 lb)
Toyota Rav 4, 5dr SUV 94-00	EU	75 kg (165 lb)	75 kg (165 lb)
Toyota Rav 4, 5dr SUV Dec 94-May 00	NZ	75 kg (165 lb)	75 kg (165 lb)
Toyota Rav 4, 5dr SUV Dec 95-May 00	AU	75 kg (165 lb)	75 kg (165 lb)
Toyota Rav 4, 5dr SUV 00-04	EU	75 kg (165 lb)	80 kg (176 lb)
Toyota Rav 4, 5dr SUV 00-06	ZA	75 kg (165 lb)	80 kg (176 lb)
Toyota Rav 4, 5dr SUV Jun 00-Jan 06	NZ	75 kg (165 lb)	80 kg (176 lb)
Toyota Rav 4 20 Series, 5dr SUV Jun 00-Jan 06	AU	75 kg (165 lb)	80 kg (176 lb)





1

F

T

HD

P

x4

2

HD/P

F/T

F

T

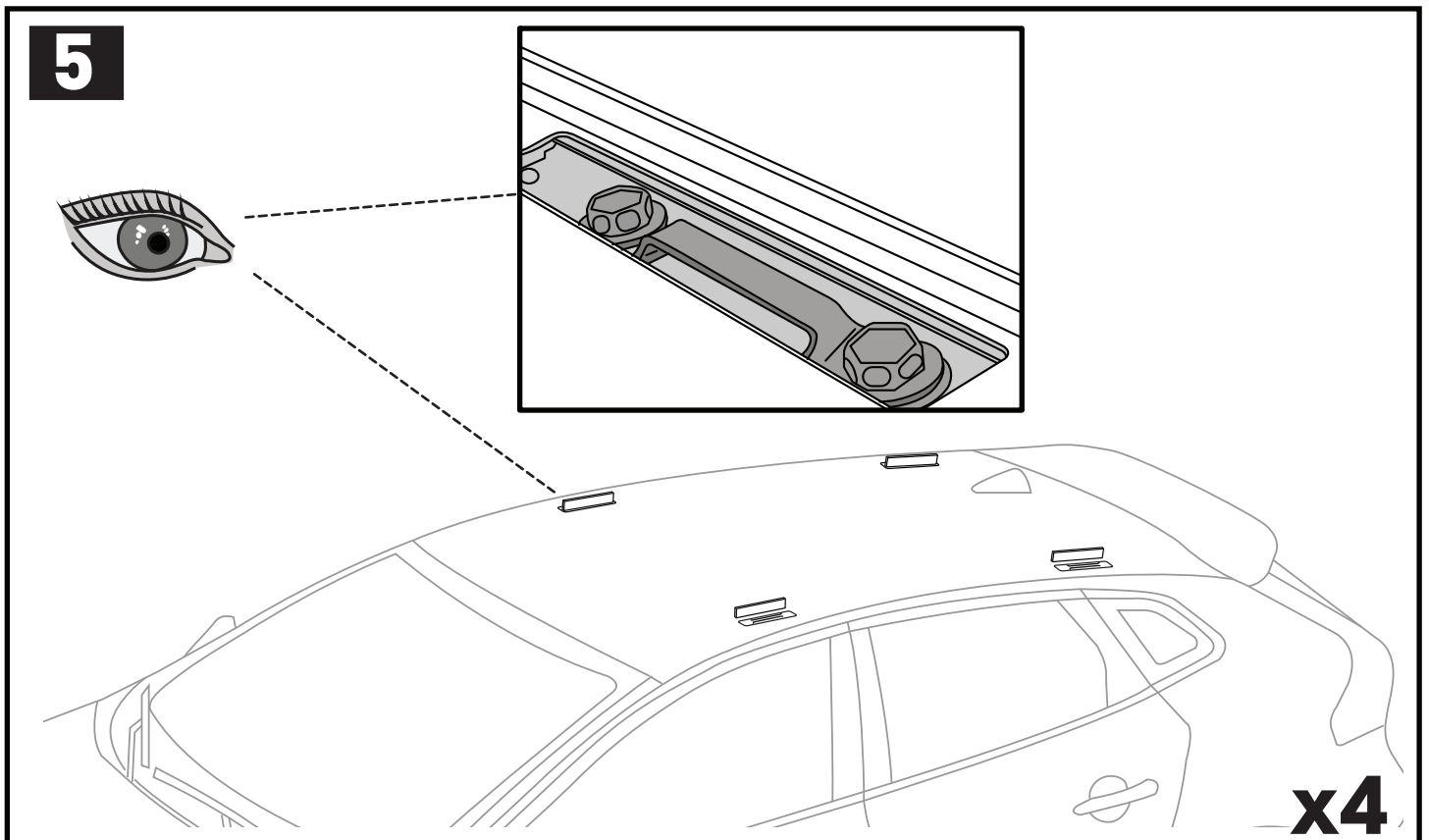
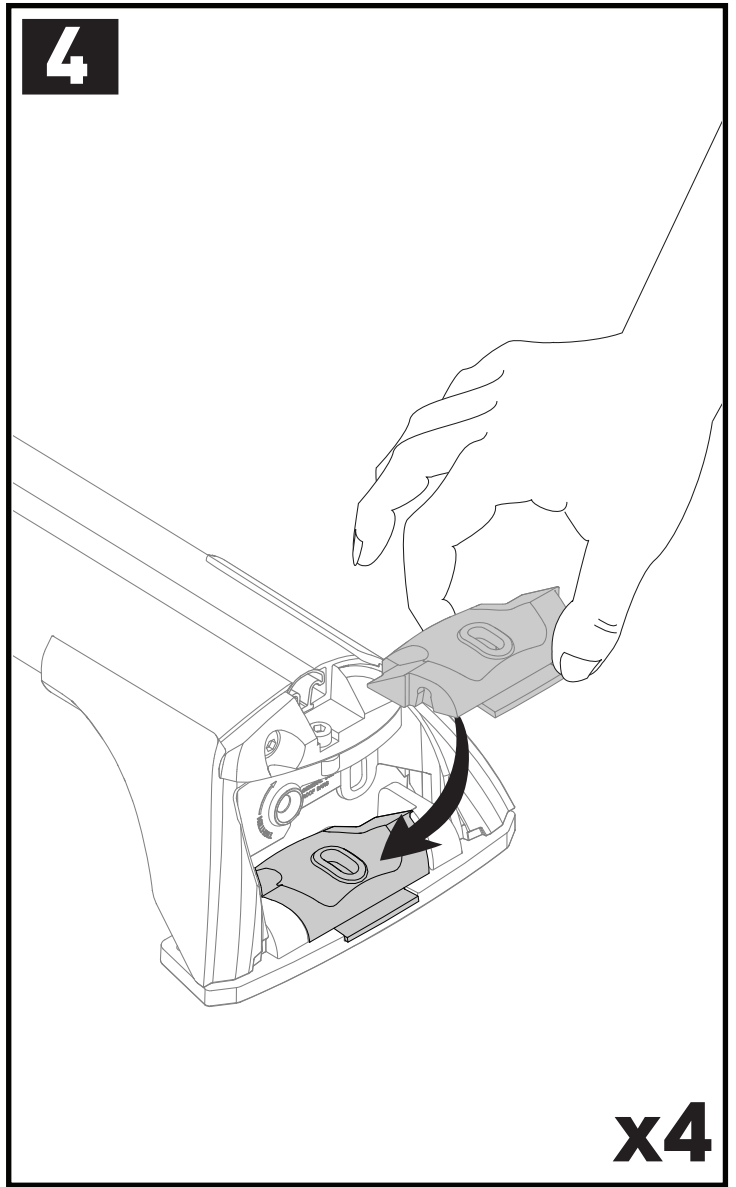
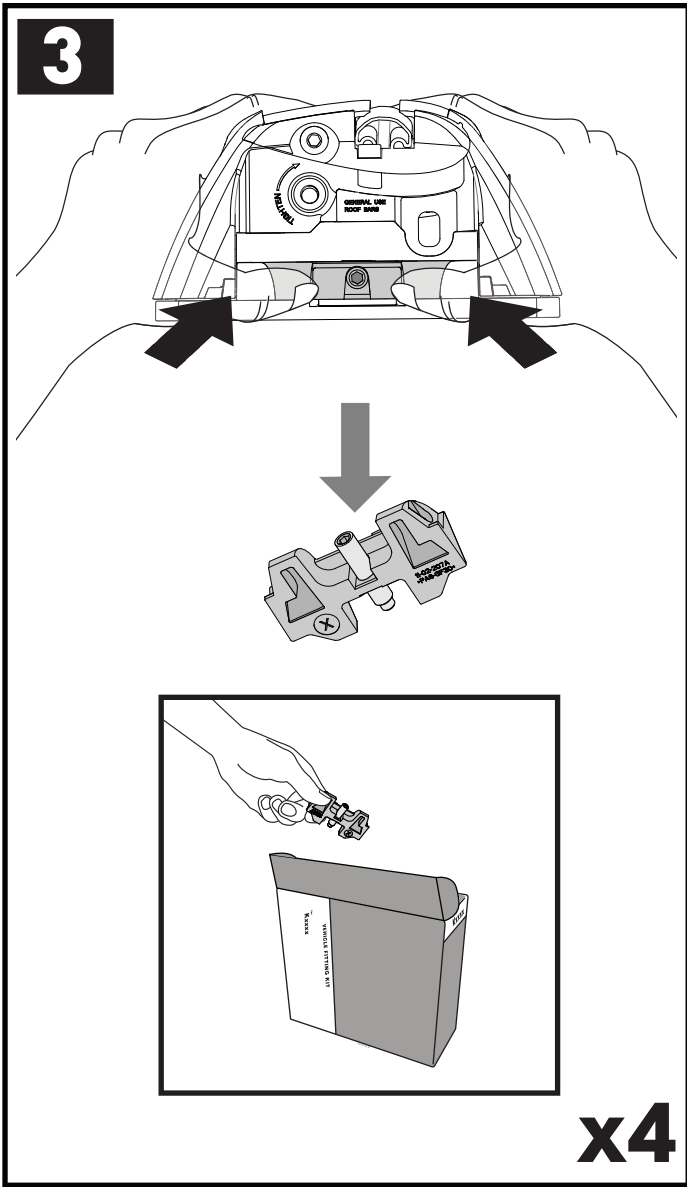
HD

P

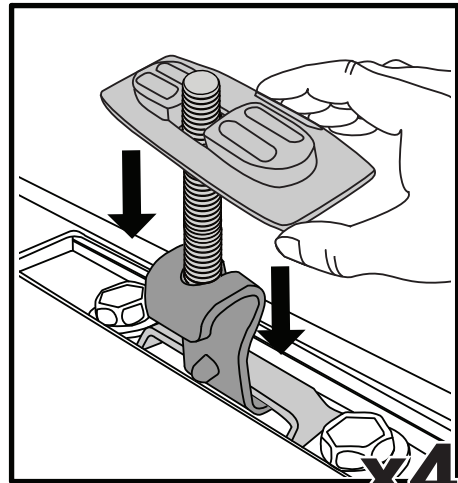
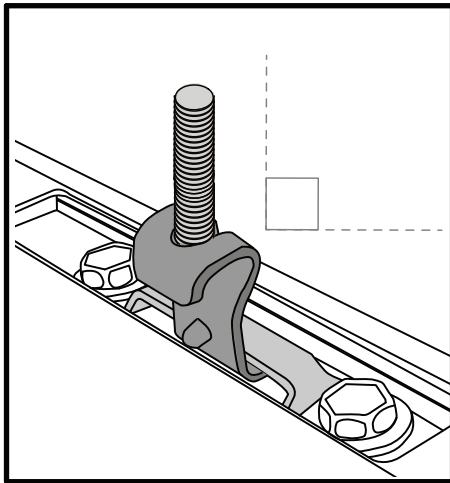
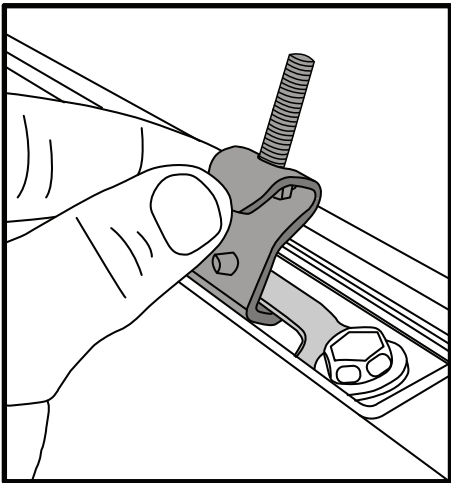
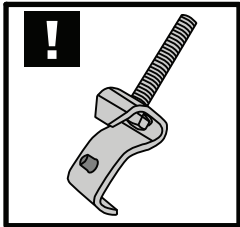
x10

a

x4

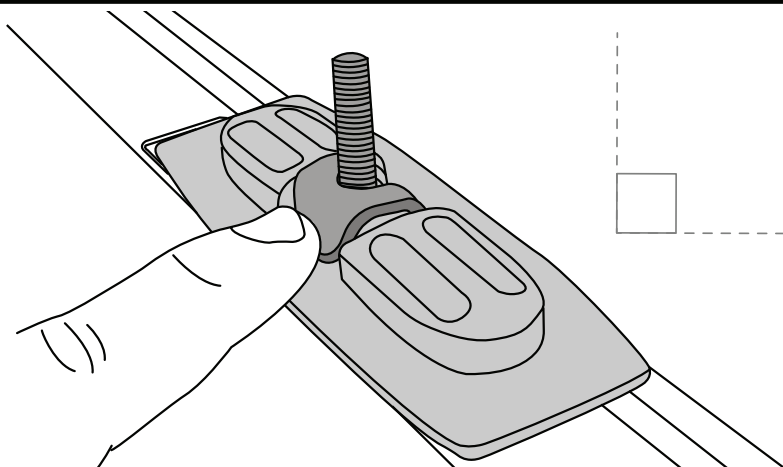


6



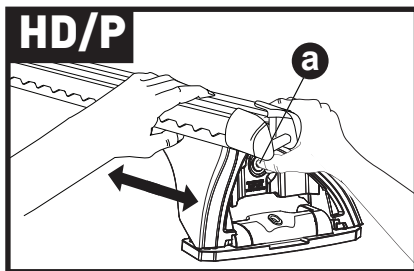
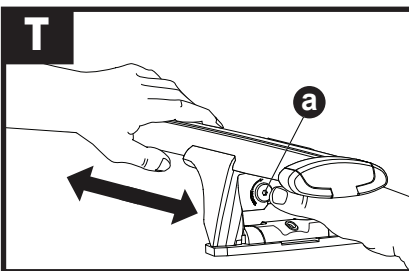
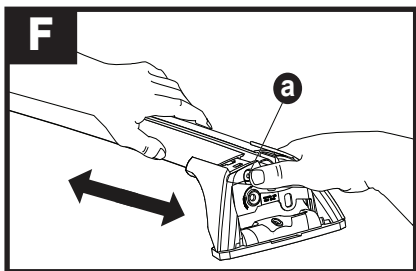
x4

7

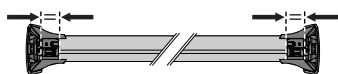
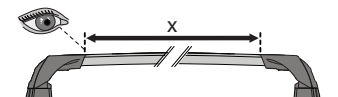


x4

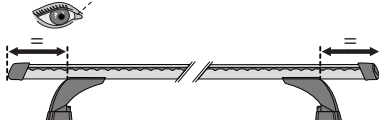
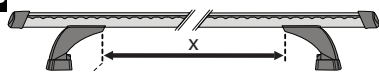
8



F



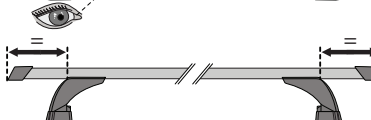
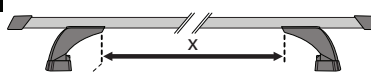
HD

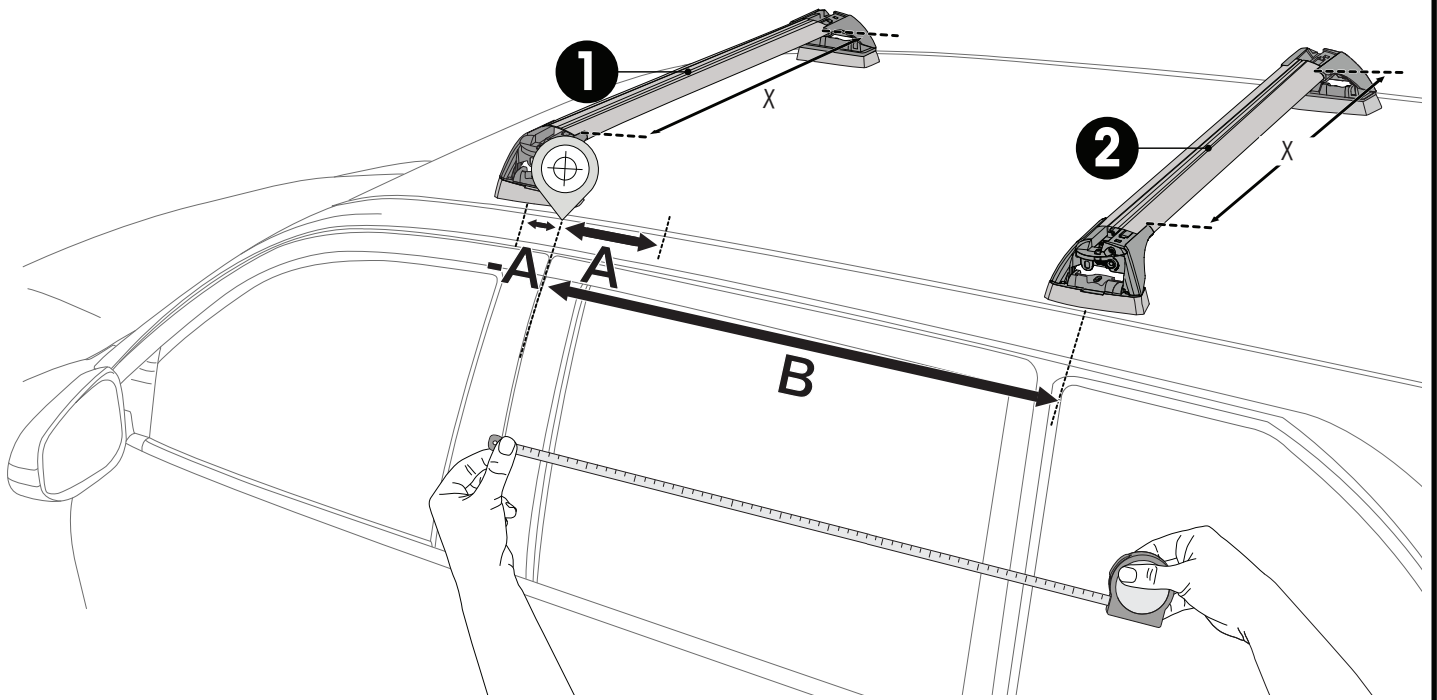




T





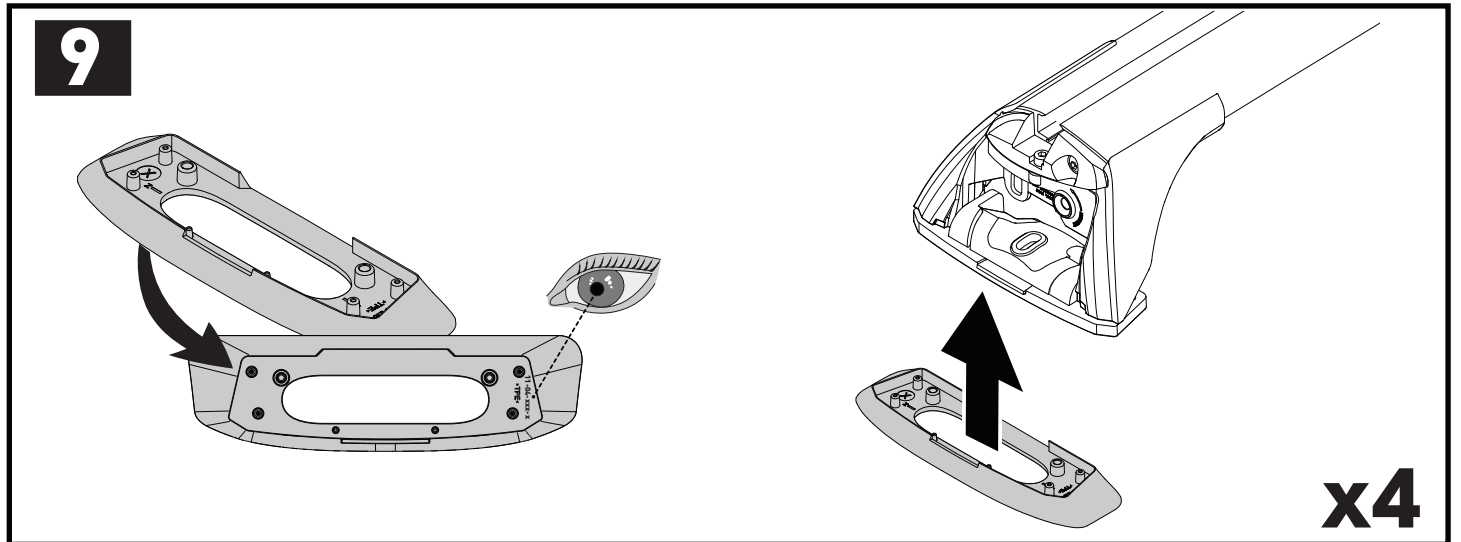
P



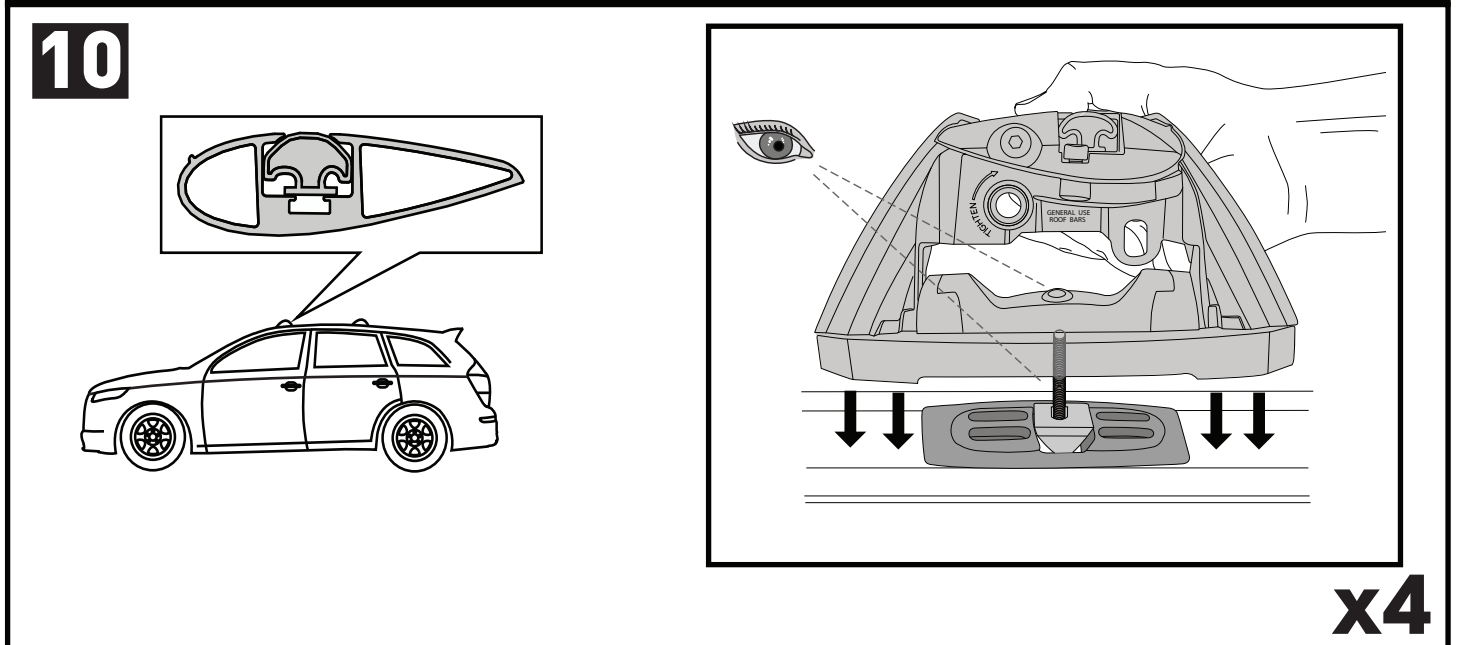


		1	2	A	B
Lexus LX, 5dr SUV Apr 98-Jul 07	AU	X = 1040 mm (41")	X = 1010 mm (39 3/4")	A = 150 mm (5 7/8")	B = 820 mm (32 1/4")
Lexus LX, 5dr SUV May 98-Oct 07	NZ	X = 1040 mm (41")	X = 1010 mm (39 3/4")	A = 150 mm (5 7/8")	B = 820 mm (32 1/4")
Suzuki SX4, 5dr Hatch 06-10	EU	X = 759 mm (29 7/8")	X = 723 mm (28 1/2")	-A = 120 mm (4 3/4")	B = 600 mm (23 5/8")
Suzuki SX4, 5dr Hatch 06-13	ZA	X = 759 mm (29 7/8")	X = 723 mm (28 1/2")	-A = 120 mm (4 3/4")	B = 600 mm (23 5/8")
Suzuki SX4, 5dr Hatch Mar 07-13	AU, NZ	X = 759 mm (29 7/8")	X = 723 mm (28 1/2")	-A = 120 mm (4 3/4")	B = 600 mm (23 5/8")
Toyota Land Cruiser 100 Series, 5dr SUV 98-07	EU, ZA	X = 1040 mm (41")	X = 1010 mm (39 3/4")	A = 150 mm (5 7/8")	B = 820 mm (32 1/4")
Toyota Land Cruiser 100 Series, 5dr SUV Apr 98-Jun 07	AU	X = 1040 mm (41")	X = 1010 mm (39 3/4")	A = 150 mm (5 7/8")	B = 820 mm (32 1/4")
Toyota Land Cruiser 100 Series, 5dr SUV Apr 98-Oct 07	NZ	X = 1040 mm (41")	X = 1010 mm (39 3/4")	A = 150 mm (5 7/8")	B = 820 mm (32 1/4")
Toyota Land Cruiser 120 Series Prado, 5dr SUV Mar 03-Oct 09	AU	X = 920 mm (36 1/4")	X = 864 mm (34")	-	B = 850 mm (33 1/2")
Toyota Land Cruiser 120 Series, 5dr SUV 03-09	EU	X = 920 mm (36 1/4")	X = 864 mm (34")	-	B = 850 mm (33 1/2")
Toyota Land Cruiser 120 Series Prado, 5dr SUV Mar 03-Nov 09	NZ	X = 920 mm (36 1/4")	X = 864 mm (34")	-	B = 850 mm (33 1/2")
Toyota Land Cruiser 150 Series Prado, 5dr SUV Nov 09+	AU	X = 935 mm (36 3/4")	X = 895 mm (35 1/4")	A = 20 mm (6/8")	B = 830 mm (32 5/8")
Toyota Land Cruiser 150 Series Prado, 5dr SUV Dec 09+	NZ	X = 935 mm (36 3/4")	X = 895 mm (35 1/4")	A = 20 mm (6/8")	B = 830 mm (32 5/8")
Toyota Land Cruiser 200 Series, 5dr SUV 07-15	CN	X = 983 mm (38 3/4")	X = 954 mm (37 1/2")	A = 280 mm (11")	B = 940 mm (37")
Toyota Land Cruiser 200 Series, 5dr SUV Aug 07-Sep 15	AU	X = 983 mm (38 3/4")	X = 954 mm (37 1/2")	A = 280 mm (11")	B = 940 mm (37")
Toyota Land Cruiser 200 Series, 5dr SUV Nov 07-Sep 15	NZ	X = 983 mm (38 3/4")	X = 954 mm (37 1/2")	A = 280 mm (11")	B = 940 mm (37")
Toyota Land Cruiser 200 Series V8, 5dr SUV 07-12	EU	X = 983 mm (38 3/4")	X = 954 mm (37 1/2")	A = 280 mm (11")	B = 940 mm (37")
Toyota Land Cruiser 200 Series, 5dr SUV 15+	ZA	X = 983 mm (38 3/4")	X = 959 mm (37 3/4")	A = 270 mm (10 5/8")	B = 930 mm (36 5/8")
Toyota Land Cruiser 200 Series, 5dr SUV Oct 15+	AU, NZ	X = 983 mm (38 3/4")	X = 959 mm (37 3/4")	A = 270 mm (10 5/8")	B = 930 mm (36 5/8")
Toyota Land Cruiser 200 Series, 5dr SUV 15-16	CN	X = 983 mm (38 3/4")	X = 959 mm (37 3/4")	A = 270 mm (10 5/8")	B = 930 mm (36 5/8")

		1	2	A	B
Toyota Rav 4, 3dr SUV 94-99	ZA	-	-	-	-
Toyota Rav 4, 3dr SUV 94-00	EU	-	-	-	-
Toyota Rav 4, 3dr SUV Jun 94-May 00	AU, NZ	-	-	-	-
Toyota Rav 4, 3dr SUV 00-05	ZA	X = 862 mm (33 7/8")	X = 808 mm (31 3/4")	-A = 440 mm (17 3/8")	B = 230 mm (9")
Toyota Rav 4, 3dr SUV 00-06	EU	X = 862 mm (33 7/8")	X = 808 mm (31 3/4")	-A = 440 mm (17 3/8")	B = 230 mm (9")
Toyota Rav 4, 3dr SUV Jun 00-Jan 06	NZ	X = 862 mm (33 7/8")	X = 808 mm (31 3/4")	-A = 440 mm (17 3/8")	B = 230 mm (9")
Toyota Rav 4 20 Series, 3dr SUV Jun 00-Jan 06	AU	X = 862 mm (33 7/8")	X = 808 mm (31 3/4")	-A = 440 mm (17 3/8")	B = 230 mm (9")
Toyota Rav 4, 5dr SUV 94-99	ZA	X = 745 mm (29 3/8")	X = 735 mm (27 7/8")	A = 220 mm (8 5/8")	B = 830 mm (32 5/8")
Toyota Rav 4, 5dr SUV 94-00	EU	X = 745 mm (29 3/8")	X = 735 mm (27 7/8")	A = 220 mm (8 5/8")	B = 830 mm (32 5/8")
Toyota Rav 4, 5dr SUV Dec 94-May 00	NZ	X = 745 mm (29 3/8")	X = 735 mm (27 7/8")	A = 220 mm (8 5/8")	B = 830 mm (32 5/8")
Toyota Rav 4, 5dr SUV Dec 95-May 00	AU	X = 745 mm (29 3/8")	X = 735 mm (27 7/8")	A = 220 mm (8 5/8")	B = 830 mm (32 5/8")
Toyota Rav 4, 5dr SUV 00-04	EU	X = 854 mm (33 5/8")	X = 806 mm (31 3/4")	-A = 100 mm (3 7/8")	B = 550 mm (21 5/8")
Toyota Rav 4, 5dr SUV 00-06	ZA	X = 854 mm (33 5/8")	X = 806 mm (31 3/4")	-A = 100 mm (3 7/8")	B = 550 mm (21 5/8")
Toyota Rav 4, 5dr SUV Jun 00-Jan 06	NZ	X = 854 mm (33 5/8")	X = 806 mm (31 3/4")	-A = 100 mm (3 7/8")	B = 550 mm (21 5/8")
Toyota Rav 4 20 Series, 5dr SUV Jun 00-Jan 06	AU	X = 854 mm (33 5/8")	X = 806 mm (31 3/4")	-A = 100 mm (3 7/8")	B = 550 mm (21 5/8")

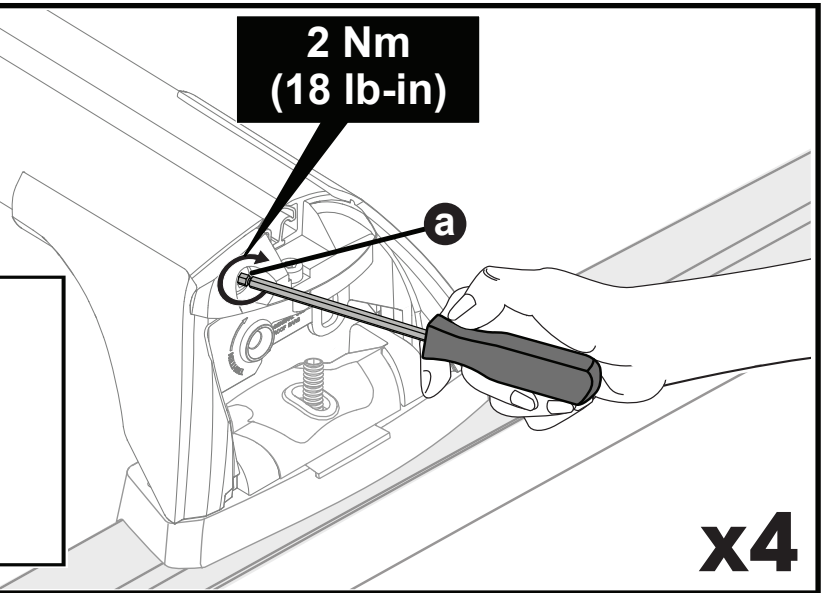
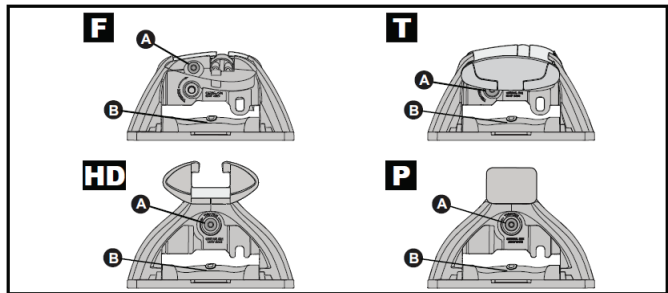


**PLACEMENT • PLATZIERUNG • COLOCACIÓN • MONTAGE • PLASSERING • COLOCAÇÃO • РАЗМЕЩЕНИЕ • MONTAGGIO
UMIĘSZCZENIE • UMÍSTĚNÍ • UMIESTNENIE • PLAATSING • PLACERING • PLACERING • РОЗМІЩЕННЯ • SIJOITTA**



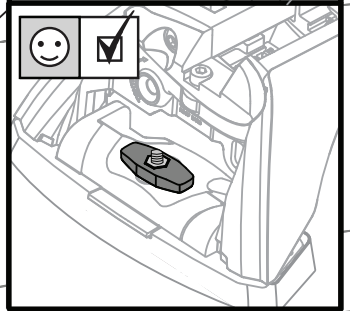
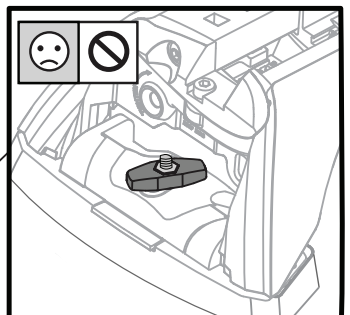
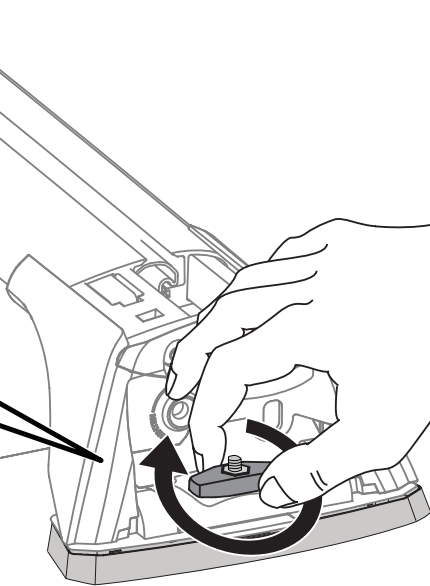
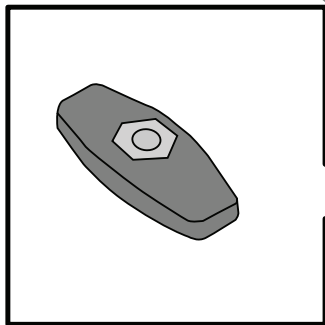
11

**2 Nm
(18 lb-in)**



x4

12

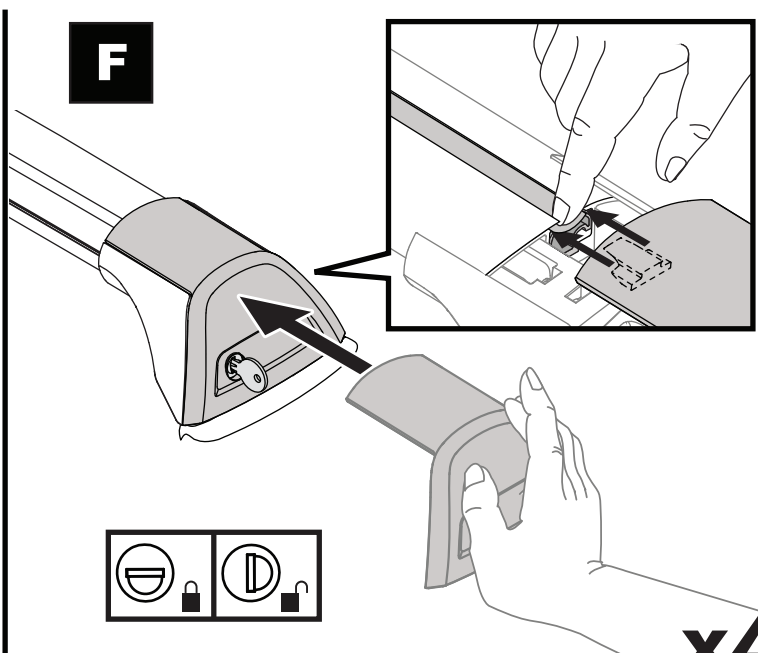
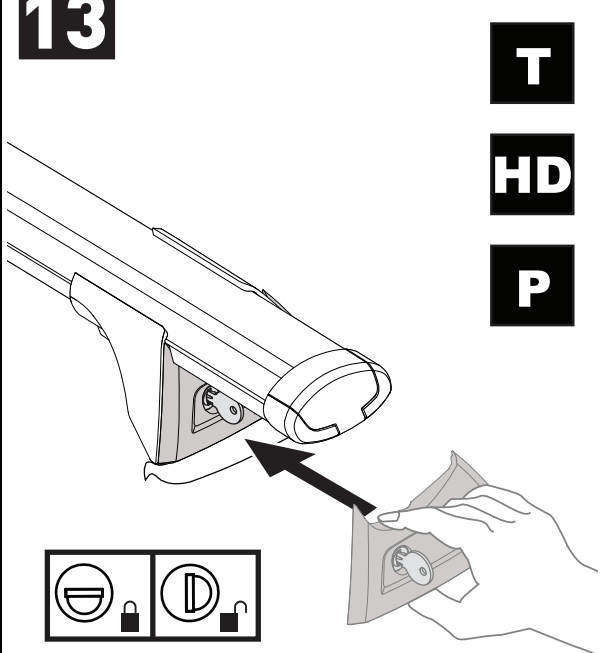


x4

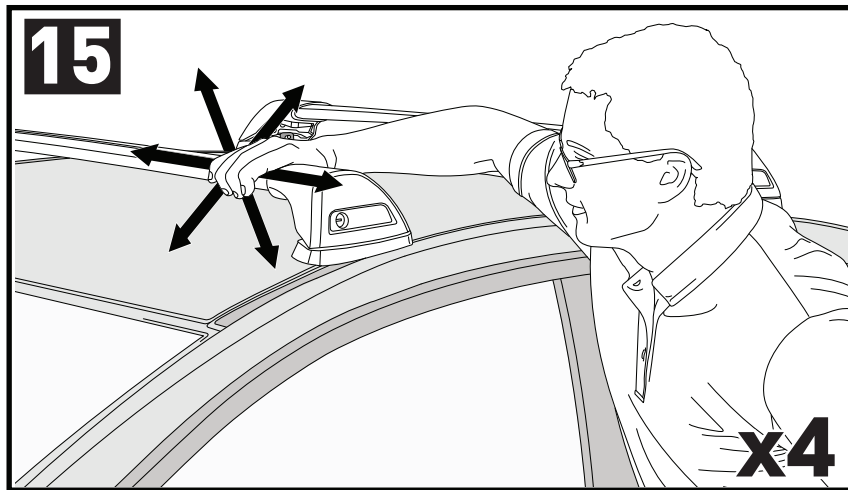
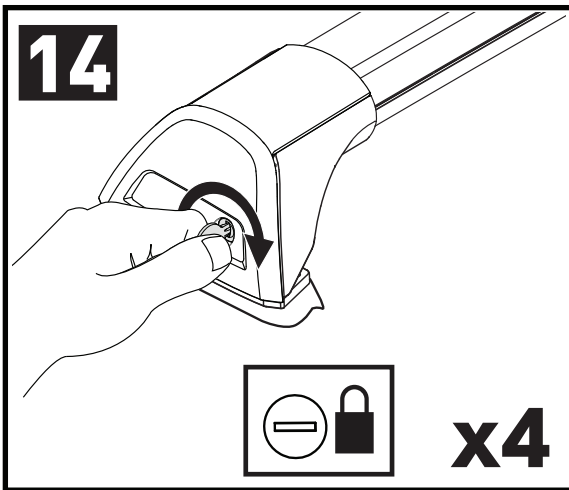
13

T
HD
P

F



x4



**ATTENTION • ACHTUNG • ATENCIÓN • ATTENTION • OPPMERKSOMHET • ATENÇÃO • ВНИМАНИЕ • ATTENZIONE
 UWAGA • UPOZORNĚNÍ • UPOZORNENIE • LET OP • UPPMÄRKSAMHET • OPMÆRKSOMHED • УВАГА • HUOMIO**

EN Please read safety and warranty booklet included with this product prior to use. For more information visit your local dealer.

DE Bitte lesen und beachten Sie die beiliegende Montageanleitung, Sicherheitshinweise und Garantiebedingungen bevor Sie das Produkt montieren/benutzen. Für weitere Informationen kontaktieren Sie bitte Ihren Händler.

ES Por favor, lea folleto de seguridad y garantía que se incluye con este producto antes de su uso. Para obtener más información, visite a su distribuidor local.

FR Veuillez lire attentivement le manuel de sécurité et de garantie avant utilisation. Pour plus d'informations, visitez votre concessionnaire local.

NO Vennligst les hefte om sikkerhet og garanti som er vedlagt dette produkt før det tas i bruk. For mer informasjon ta kontakt med din forhandler.

PT Por favor leia o manual de segurança e garantia incluído, antes de utilizar o produto. Para mais informações visite o seu revendedor local.

RU Пожалуйста, ознакомьтесь с инструкцией перед тем, как использовать товар. Для получения более подробной информации обратитесь к местному дилеру.

IT Si prega di leggere il libretto di sicurezza e garanzia incluso nel prodotto prima dell'uso. Per maggiori informazioni visita il rivenditore locale.

PL Proszę zapoznać się z warunkami gwarancji i bezpieczeństwa przed użyciem produktu. W celu uzyskania dodatkowych informacji proszę kontaktować się z najbliższym autoryzowanym punktem sprzedaży.

CS Před použitím si prosím přečtěte přiložené informace o bezpečnosti a záručních podmínkách. Pro více informací navštivte nejbližšího dealera.

SK Pred použitím si prosím prečítajte priložené informácie o bezpečnosti a záručných podmienkach. Pre viac informácií navštívte najbližšieho diera.

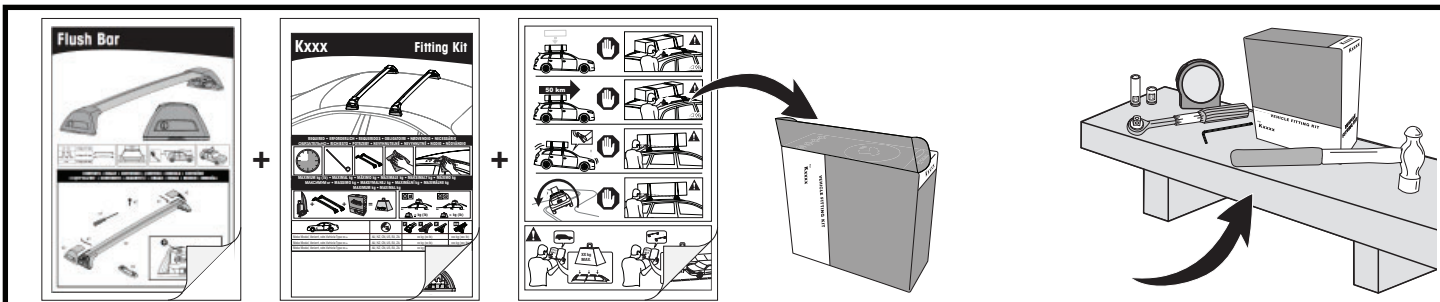
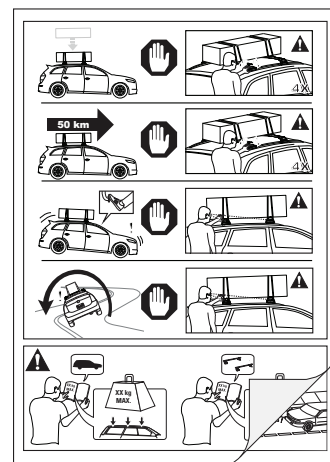
NL A.U.B. bijgesloten garantie- en veiligheidsinstructies grondig lezen voor gebruik van dit product. Voor meer informatie graag contact opnemen met uw dealer.

SV Var snabb och läs igenom säkerhets- och garantihäftet som medföljer produkten före användning. För mer information besök din lokala återförsäljare.

DK Læs venligst sikkerheds- og garantibogholderen, der følger med dette produkt, inden brug. For mere information besøg din lokale forhandler.

UA Будь ласка, ознайомтеся з бронею безпеки та гарантії, включені до цього продукту перед використанням. Для отримання додаткової інформації відвідайте місцевого дилера.

FI Lue tämän tuotteen mukana toimitetut turvallisuus- ja takuu huoltopalvelut ennen käyttöä. Lisätietoja saat paikalliselta jälleenmyyjältä.



Yakima Australia Pty Ltd
 17 Hinkler Court, Brendale
 QLD 4500, Australia
 1800 143 548
 www.prorack.com.au
 www.whispbar.com.au
 www.yakima.com.au

Yakima Products, Inc.
 4101 Kruse Way
 Lake Oswego, OR. 97035 USA
 888 925 4621
 www.yakima.com

WORKS WITH:
Prorack
WHISPBAR
YAKIMA